

Characteristics

- **Air MIN pressure**
3 bar(44.1 psi);
- **Air MAX pressure**
10 bar(147 psi);
- **Crossing section**
80 mm²;
- **Driving voltage**
24 Vdc -110 Vac;
- **Power absorption**
4 W
- **Driving-air inlet**
1/4" gas;
- **Lubricant outlet**
1/2" gas cone.

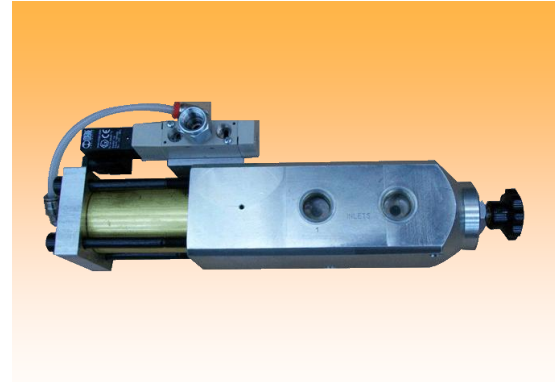
4/2 Electro-Pneumatic Valve

Line 02 - Valves

This valve has been designed to control lubricant flow (oil and grease).

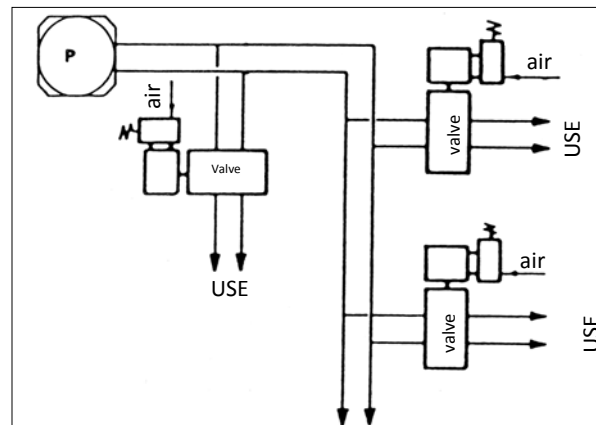
Piston is made of hardened and ground steel. It is driven by a pneumatic cylinder controlled by a solenoid valve.

This device is normally used in dual line lubrication systems, where it is necessary the remote including or excluding of some parts of plant.

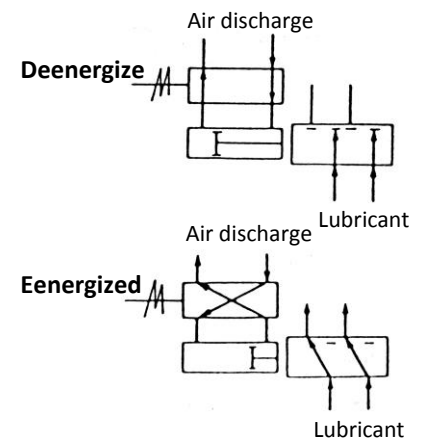


Operation example

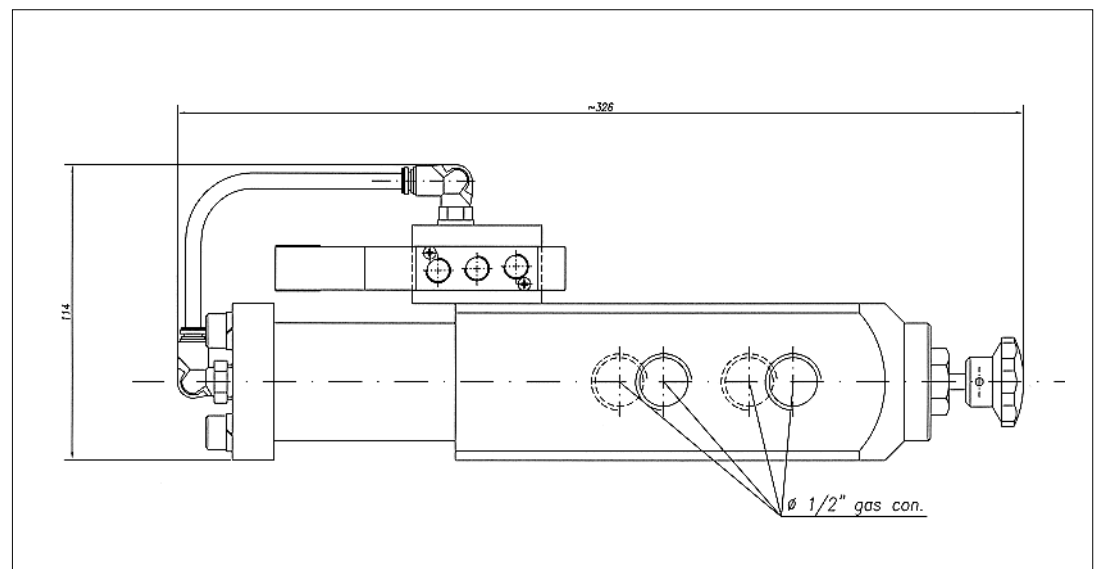
The following diagram is an example of operation. The pump P distributes the lubricant in the main line. The secondary lines are managed by an electro-pneumatic valve.



Schematic symbol



Dimensions



Applications

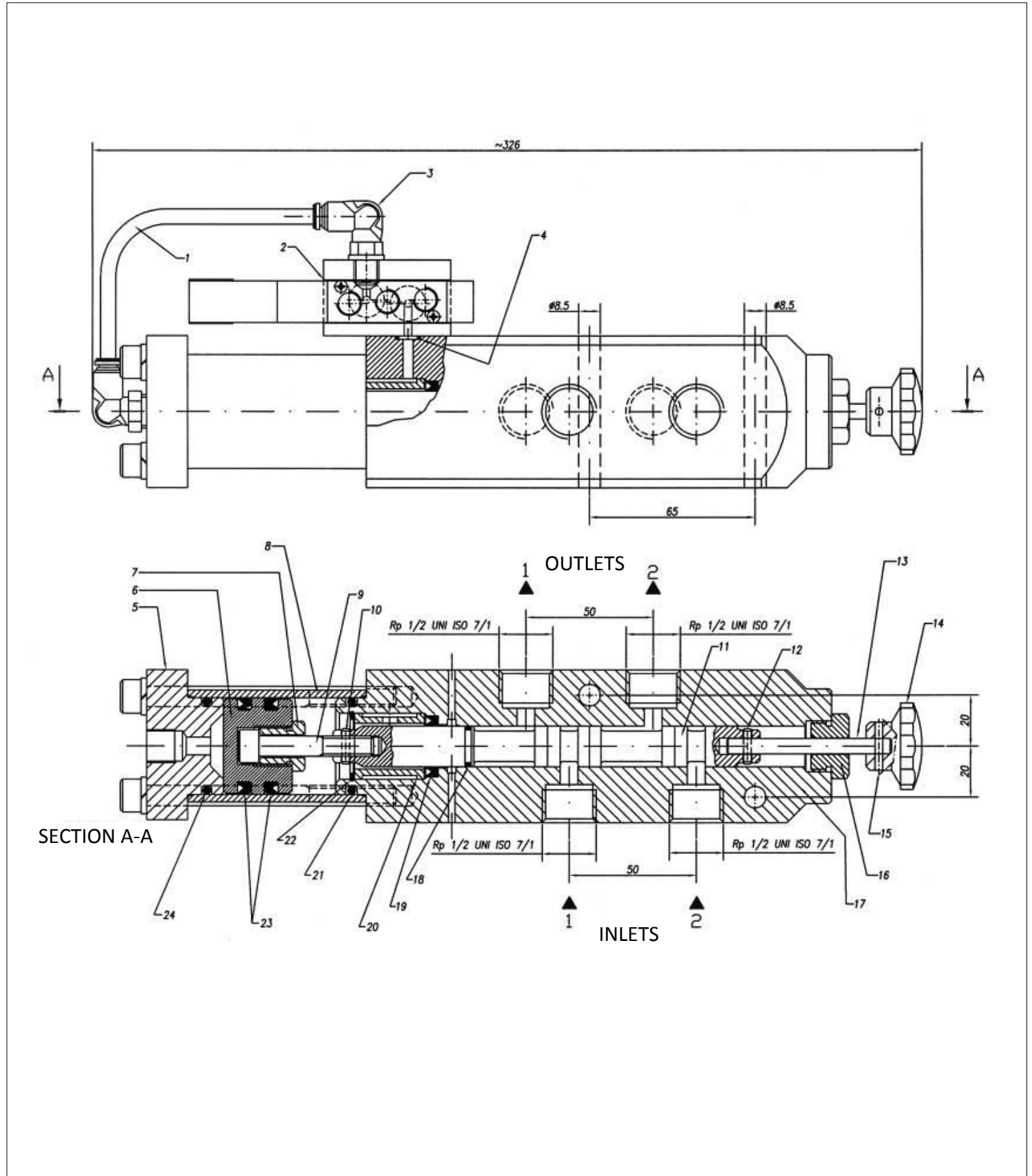
- This valve find interesting applications in cases where one or more machines included in a cycle of production must be excluded.

4/2 Electro-Pneumatic Valve

Maintenance

At least once a year is necessary to disassemble the valve and provide for general cleaning. Check the seal of the gaskets.

4/2 Electro-pneumatic Valve 1651300/310





Contacts

www.dropsa.com
sales@dropsa.com

ITALIA

Dropsa SpA
t. +39 02-250791
f.+39 02-25079767

U.K.

Dropsa (UK) Ltd
t. +44 (0)1784-431177
f. +44 (0)1784-438598

GERMANY

Dropsa GmbH
t. +49 (0)211-394-011
f. +49 (0)211-394-013

FRANCE

Dropsa Ame
t. +33 (0)1-3993-0033
f. +33 (0)1-3986-2636

CHINA

Dropsa Lubrication Systems
(Shanghai) Co.,Ltd
t. +86 (021) 67740275
f. +86 (021) 67740205

U.S.A.

Dropsa Corporation
t. +1 586-566-1540
f. +1 586-566-1541

AUSTRALIA

Dropsa Australia Ltd.
t. +61 (0)2-9938-6644
f. +61 (0)2-9938-6611

BRAZIL

Dropsa Remonlub
t. +55 (0)11-563-10007
f. +55 (0)11-563-19408

4/2 Electro-Pneumatic Valve

Order Informations

HOW TO ORDER

PART NR.	DESCRIPTION
1651300	Air solenoid - valve 110v 50//60 Hz
1651310	Elec-pneu incl-excl valve 24 V dc

SPARES PARTS

			VALVES PART NUMBER	
POS.	DESCRIPTION	SPARES P.NR.	1651300	1651310
1	Nylon tube	5717301	1	1
2	EV Kit 110 Vac	3132568	1	/
2	EV Kit 24 Vdc	3132566	/	1
3	Fitting 90° push in	3084566	1	1
4	Gasket	0018806	1	1
5	Cover	0083907	1	1
6	Piston	0083905	1	1
7	Fitting ch 17	0083910	1	1
8	Cylinder	0083906	1	1
9	Screw TC 8x45 with hole	0083909	1	1
10	Spirol 3x14	0016812	1	1
11	Distributor piston	1651302	1	1
12	Spirol 3x14	0016812	1	1
13	Hand gear bar	0083908	1	1
14	Flyer	1651203	1	1
15	Spirol 3x18	0016815	1	1
16	Fitting guide	0083911	1	1
17	Valve body	1651301	1	1
18	Gasket	0061103	1	1
19	Seal oleoite	1651066	1	1
20	Spacer	3011092	1	1
21	Gasket	0018838	1	1
22	Circlip	0018666	1	1
23	Seal oleoite	1651065	2	2
24	Gasket	0018838	1	1