

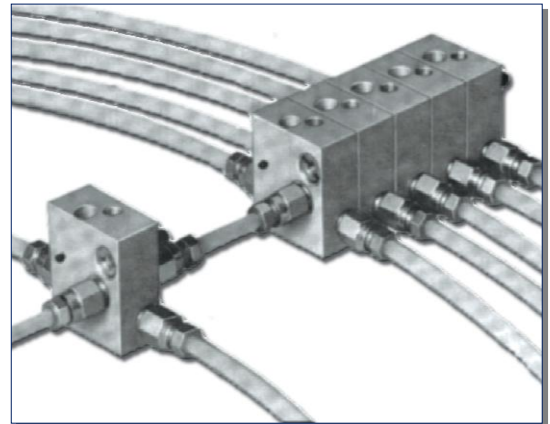
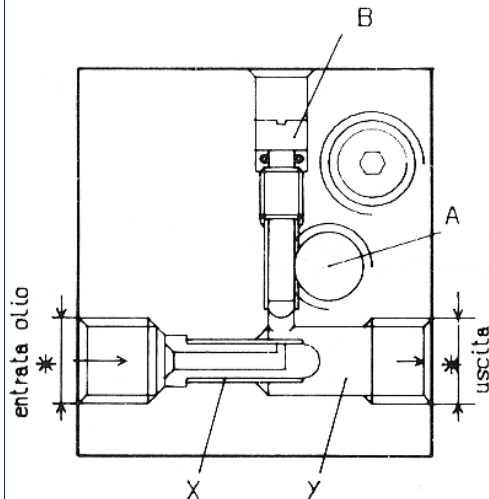
## CHARACTERISTICS

- **LOW COST**
- **MAX OIL VISCOSITY:**  
230 CST A 40°C
- **MAX DELIVERY PER STROKE:** 15 CC
- **MAX DELIVERY FOR CONTINUOUS OPERATION:**  
0.5 L/MIN
- **MIN PRESSURE:** 2 BAR
- **MAX PRESSURE:**  
100 BAR

## MIXING VALVE

This is a very simple inexpensive unit suitable for many spray lubrication problems.

Only the large oil particles mix with air, eliminating the problems of microfog.



### OPERATION:

The lubricant flows through the fitting X and mixes with the air in chamber Y.

The air flow from hole A is controlled by screw B.

To achieve a good mixture the delivery tube must have a minimum length of 1 metre.

The mixing element can be used singly or in groups, each metering element having one hole for wall fixture and a second hole for connecting to another element.

The air consumptions (based on the opening of the adjustment screw and the pressure) are indicated in the graph on page 4.

## TECHNICAL INFORMATION

Technical Information	
Max viscosity	230 cSt a 40°C
Max delivery per stroke	15 cc
Max delivery for continuous operation	0.5 L/min
Min pressure	2 bar
Max pressure	100 bar

## ORDERING INFORMATION

Description	Part number
Mixing valve 1/8 BSP	1132250
Mixing valve 1/8 NPT	1132260

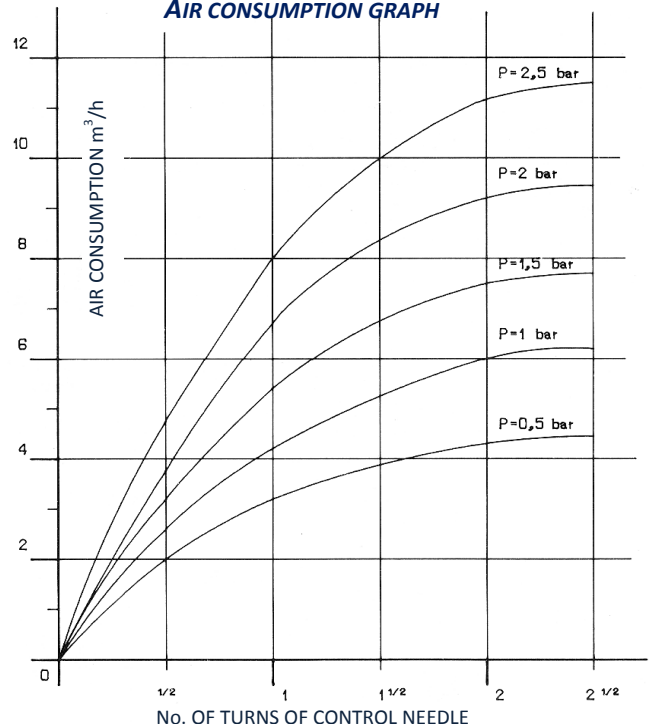
## SPARE PARTS

Pos.	Description	Part number
1	seal	0018802
2	Needle	1132253
3	Valve body	1132251
4	Tube	1132254
5	Nozzle	1132252
6	Cyl. Head screw	0014085
7	Bush	1132255
8	Gasket	0058382
9	Pin	0016805

## APPLICATIONS

- **PROGRESSIVE METERING ELEMENTS**
- **DUAL LINE WITH ADJUSTABLE FLOW RATE**

AIR CONSUMPTION GRAPH



## CONTACTS

[www.dropsa.com](http://www.dropsa.com)

[sales@dropsa.com](mailto:sales@dropsa.com)

### ITALIA

Dropsa SpA  
t. (+39) 02-250791  
f. (+39) 02-25079767

### U.K.

Dropsa (UK) Ltd  
t. (+44) 01784-431177  
f. (+44) 01784-438598

### GERMANY

Dropsa GmbH  
t. (+49) 0211-394-011  
f. (+49) 0211-394-013

### FRANCE

Dropsa Ame  
t. (+33) 01-3993-0033  
f. (+33) 01-3986-2636

### U.S.A.

Dropsa Corporation  
t. (+1) 586-566-1540  
f. (+1) 586-566-1541

### AUSTRALIA

Dropsa Australia Ltd.  
t. (+61) 02-9938-6644  
f. (+61) 02-9938-6611

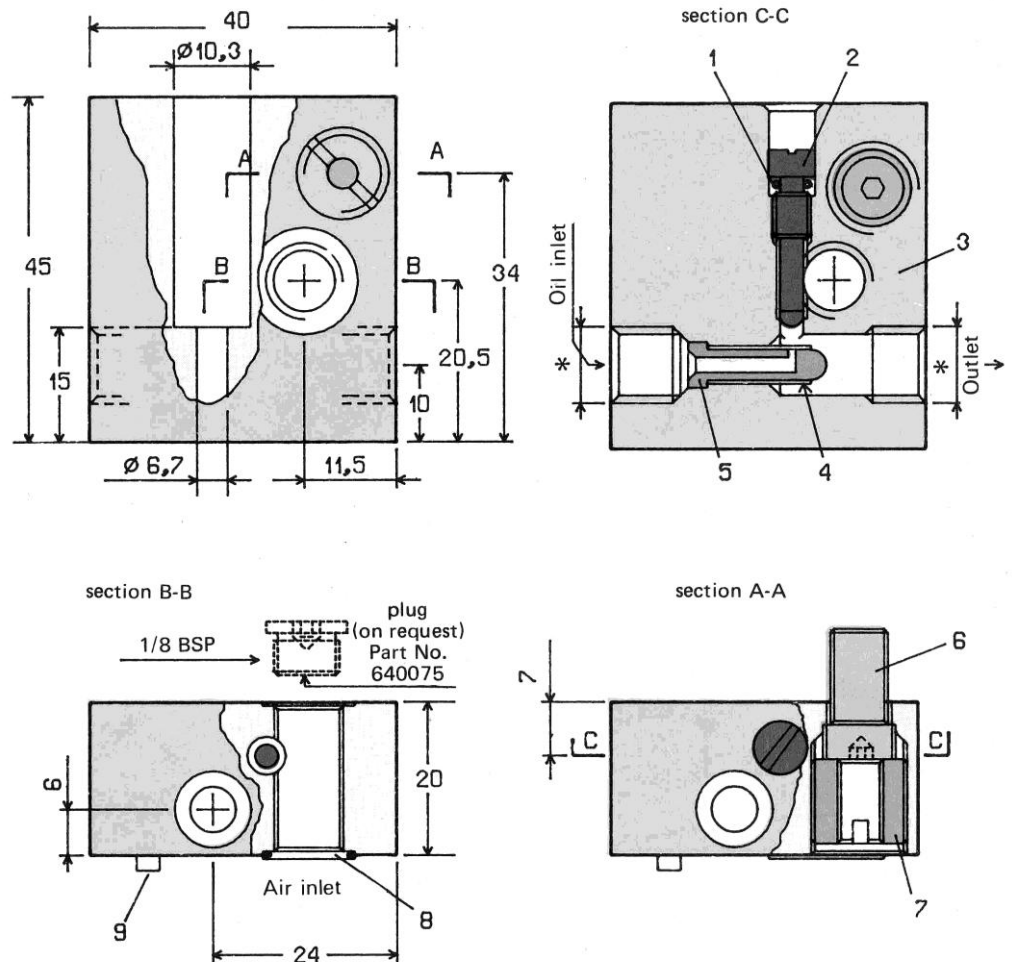
### BRAZIL

Dropsa Brasil Ind.e  
Com.Ltda  
t. (+55) 011-563-10007  
f. (+55) 011-563-19408

### CHINA

Dropsa Lubrication Systems  
(Shanghai) Co., Ltd  
t. (+86) 021 67740275  
f. (+86) 021 67740205

## DIMENSIONS



## EXAMPLES OF USE:

A number of feed possibilities:

- fig. 1 with continuous or intermittent flow pump
- fig. 2 feed through progressive metering elements
- fig. 3 mixing valve connected to the output of a double line metering element with adjustable flow.
- fig. 4 valves fed by a multiple line lubricator.

The air supply can be connected in parallel to the pump in cases of intermittent lubrication.

