

Spray valve for grease or oil



GENERAL:

The spray valve is suitable for delivering lubricant by means of an air spray to a lubrication point. Typical applications might include open gears or rack lubrication.

The air spray is automatically activated when lubricant is injected into the lubricant inlet port and de-activated when the flow stops.

It is important to have a sufficient and rapid lubricant flow in order to open the air flow correctly.

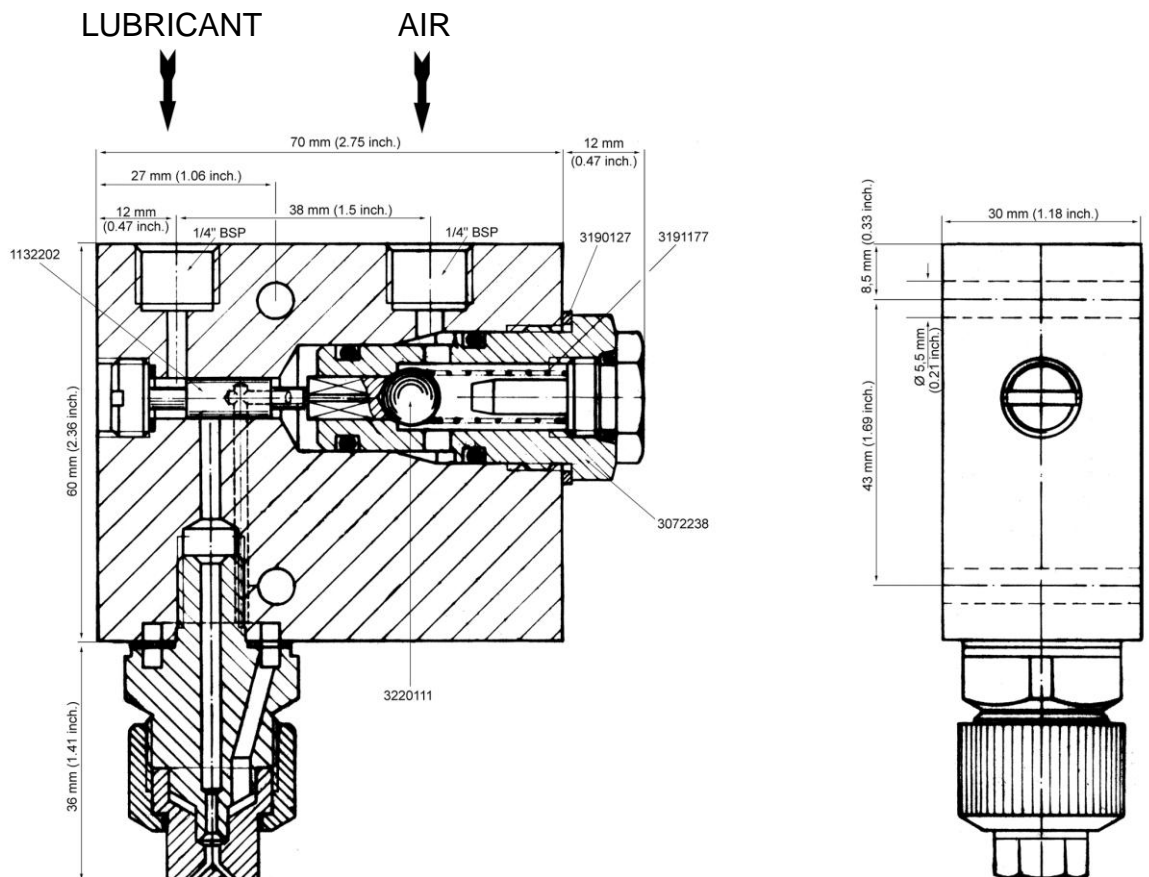
OPERATION:

When lubricant is fed into the lubricant port, the pilot piston 1132202 is displaced allowing lubricant to flow into the central port in the spray nozzle. The pilot piston, continues to move opening the air valve 3220111, therefore allowing air to flow into the nozzle.

When the lubricant no longer is being delivered into the lubrication port, the spring 3191177 returns the pilot piston and air valve to its original position thereby closing the air flow.

The standard spray valve is not suitable for very low flow rates. In such circumstances lubricant will flow out of the nozzle without the air spray being activated. This is due to the fact that the lubricant discharge port is opened before the air port by the pilot piston.

For these applications, it is necessary to remove the washer p/n 3190127 located on the 3072238 assembly in order to force the air valve to open before the lubricant is injected into the spray nozzle. However, it is important that pressure is relieved in the lubricant inlet after the lubrication cycle is terminated in order to permit the spring to reset the pilot piston, and therefore de-activate the air spray.



ORDERING INFORMATION

| | |
|--------------|--------------------------------|
| Cod. 1132300 | Spray valve for oil and grease |
|--------------|--------------------------------|

ITALIA

Dropsa SpA
t. +39 02-250791
f. +39 02-25079767

CHINA

Dropsa Lubrication Systems
(Shanghai) Co., Ltd
t. +86 (021) 67740275
f. +86 (021) 67740205

U.K.

Dropsa (UK) Ltd
t. +44 (0)1784-431177
f. +44 (0)1784-438598

U.S.A.

Dropsa USA Incorporated
t. +1 586-566-1540
f. +1 586-566-1541

GERMANY

Dropsa GmbH
t. +49 (0)211-394-011
f. +49 (0)211-394-013

AUSTRALIA

Dropsa Australia Pty
t. +61 (02)-9938-6644
f. +61 (0)2-9938-6611

FRANCE

Dropsa Ame
t. +33 (0)1-3993-0033
f. +33 (0)1-3986-2636

BRAZIL

Dropsa Do Brasil Ind.e
Com.Ltda
t. +55 (0)11-563-10007
f. +55 (0)11-563-19408

Web site:
<http://www.dropsa.com>

E-mail:
sales@dropsa.com

WK 17/03
7176933