

# DRAIN RESERVOIR

3044328  
3044325

## Hydraulic Cylinder Gland Drains

Cylinder seal life depends on many conditions. One of these conditions is the cylinders work cycle. Hydraulic cylinder with large rod diameter, long strokes and high cycle rates will eventually have seal wear. Because of seal wear many end users have specified that cylinders have gland grain porting. When this port is piped to the gland reservoir any leakage will be captured.

This port is located between the rod seal and the rod wiper. A hydraulic cylinder may have a small amount of hydraulic oil that escapes part the rod seal during a “start up” period. The gland drain reservoir will capture this leakage as well.

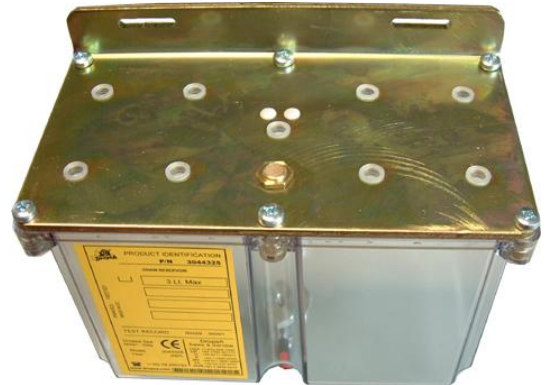
## Gland Drain Reservoir – Benefits

OSHA requires that work environments have dry floors. When a cylinder has a gland drain port piped to a reservoir it will keep the floor oil free.

If the end user has a preventative maintenance plan a gland drain reservoir becomes an important part of the equipment. The gland drain reservoir allows a visual or electrical indication of seal wear. Each drain line coming back to the reservoir identifies the cylinder that it is piped to. Any excess leakage can be noted and repairs can be planned.

The gland drain reservoir eliminates cylinder leakage from entering areas such as coolant, water or other oil systems. The gland drain reservoir can help maintain the integrity of the hydraulic systems.

When the reservoirs are used the oil can be disposed of properly or recycled for future use.



## Other Drain Applications

The drain reservoir can be used for many applications where there is a need to capture a fluid.

## Specifications

Reservoir capacity: 3 liters  
Inlet drain ports: 1/8" UNI ISO 228/1  
Two way valve: 3/8" UNI ISO 228/1

## Ordering information

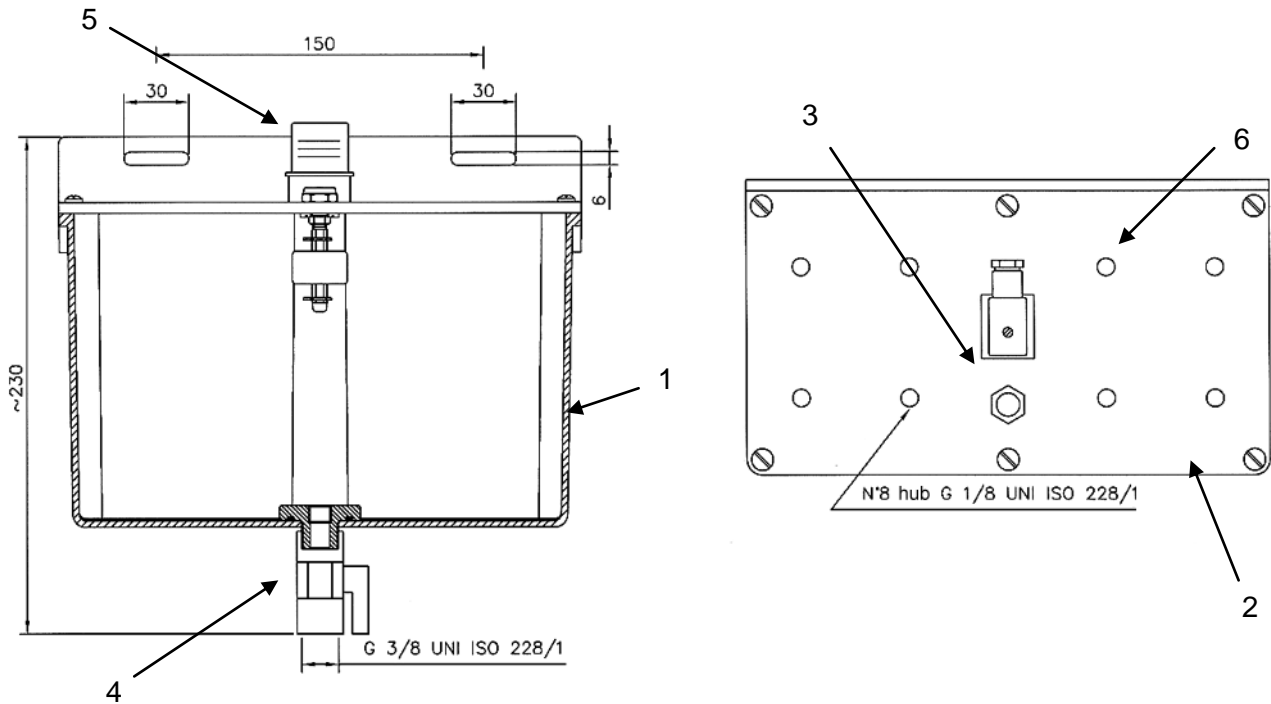
Part No.	Description
3044325	Standard version, without high level switch
3044328	Special version, with high level switch



*Automatic lubrication systems*

WK 29/01

C2037PE



Item	Description	Part. No.	Q.ty
1	Reservoir 3 liters	6770072	1
2	Cover	3042336	1
3	Raccordo con filtro sinterizzato	3084415	1
4	Two way valve	3078152	1
5	High level contact (only for 3044328)		1
6	Hub G 1/8" UNI ISO 228/1		8

#### ITALIA

Dropsa SpA  
t. +39 02-250791  
f. +39 02-25079767

#### CHINA

Dropsa Lubrication Systems  
(Shanghai) Co., Ltd  
t. +86 (021) 67740275  
f. +86 (021) 67740205

#### U.K.

Dropsa (UK) Ltd  
t. +44 (0)1784-431177  
f. +44 (0)1784-438598

#### U.S.A.

Dropsa USA Incorporated  
t. +1 586-566-1540  
f. +1 586-566-1541

#### GERMANY

Dropsa GmbH  
t. +49 (0)211-394-011  
f. +49 (0)211-394-013

#### AUSTRALIA

Dropsa Australia Pty  
t. +61 (02)-9938-6644  
f. +61 (0)2-9938-6611

#### FRANCE

Dropsa Ame  
t. +33 (0)1-3993-0033  
f. +33 (0)1-3986-2636

#### BRAZIL

Dropsa Do Brasil Ind.e  
Com.Ltda  
t. +55 (0)11-563-10007  
f. +55 (0)11-563-19408