

CHARACTERISTICS

- SAE METRIC, BSP, NPTF THREADS AVAILABLE
- OPERATES UP TO 500 BAR (7.200 PSI)
- OPERATES WITH OIL OR GREASE
- ALL COMPONENT ARE NICKEL-PLATED, HIGH RESISTANCE TO CORROSION
- CE AND ATEX MARKING
- THE BASES ARE ALWAYS SUPPLIED COMPLETE WITH STANDARD 'O' RINGS AND FIXING SCREWS
- THE TWO OUTPUTS ARE COMBINED BY REPLACING THE ADAPTER. JUST TAKE ONE ITEM OF STOCK
- AIR BLEED VALVES BUILT INTO BASE
- SECURE AND CONTROLLED LUBRICATION
- ASSEMBLING SIMPLE AND FLEXIBLE WITH LOW MAINTENANCE COSTS
- ABILITY TO REPLACE THE DOSE WITHOUT DETACHING THE PIPES

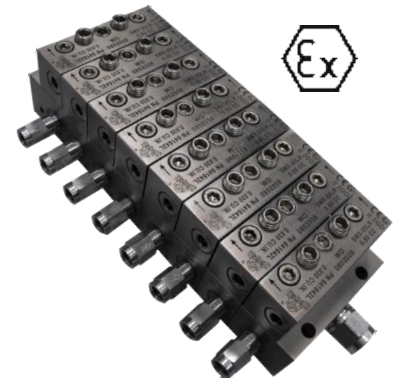
ATEX NICKEL PLATED MODULAR PROGRESSIVE DISTRIBUTOR SMO-SMX METERING ELEMENTS FOR THE EXACT BREAKDOWN OF OILS AND GREASE

The modular system consists of two main components: the base and the metering elements. The modular progressive distributor is available in two sizes: "SMO miniature" and "SMX standard".

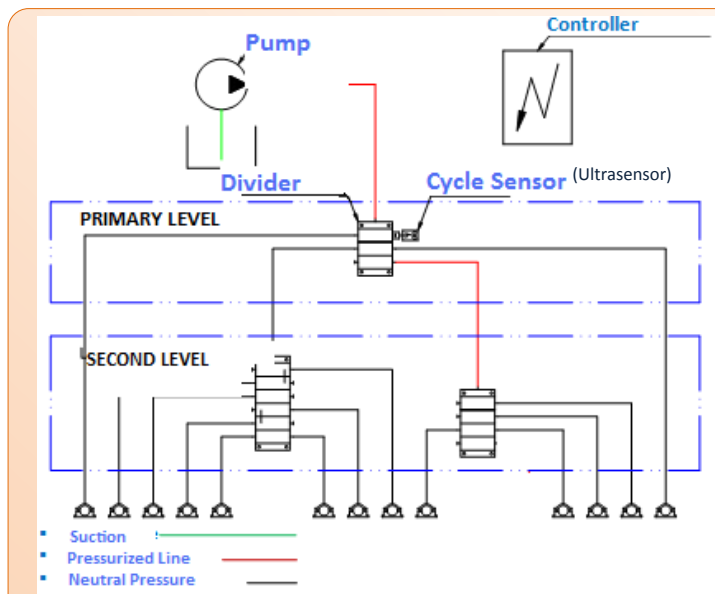
Conventional bridging pieces are eliminated. Bridging elements have been introduced and these interconnect and discharge to the adjacent element.

The distributor assembly principle enables factory floor distributor assembly to accommodate grouping of lubrication points.

The base assembly can be mounted and piped up without the metering elements. This provides the most advantageous routing of pipe work and the elements can then be fitted to suit. The system can be easily extended and the modular concept provides low cost replacement of component.

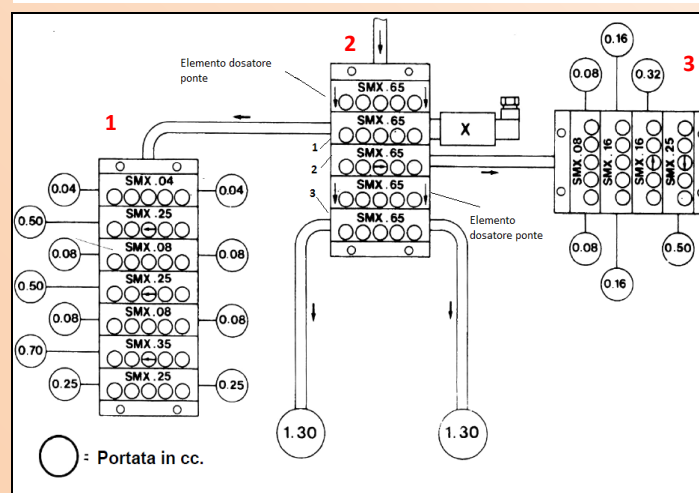


OPERATION PRINCIPLE



The base assembly can be mounted and piped up without the metering elements. This provides the most advantageous routing of pipe work and the elements can then be fitted to suit.

The system can be easily extended and the modular concept provides low cost replacement of component.



The SMX65 metering element (1) pilots a block of 7 metering elements SMX delivering 2.60cc./cycle.

The SMX65 metering element (3) pilots a block of 4 metering elements SMX delivering 1.3cc/cycle.

The SMX65 metering element (2) directly lubricates two point of the machine.

The cycle is controlled by the contact "X".

APPLICATION

- MACHINE TOOLS
- TEXTILES
- HEAVY INDUSTRY



ADVANTAGES

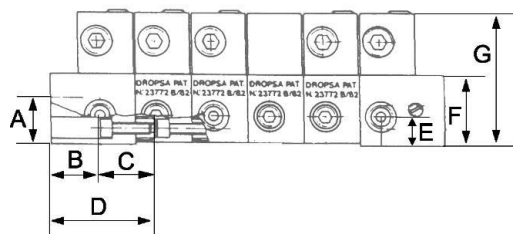
- Conventional tie rods are eliminated. There is no maximum limitation on the number of elements which can be used on the assembly.
- Auxiliary by-pass elements can be installed in the assembly to accommodate an increase or decrease in points without disturbing the base assembly or pipework
- Lubricant volume can be easily increased or decreased during system commissioning or service without disturbing the base assembly on pipework

FLOWRATE METERING ELEMENT

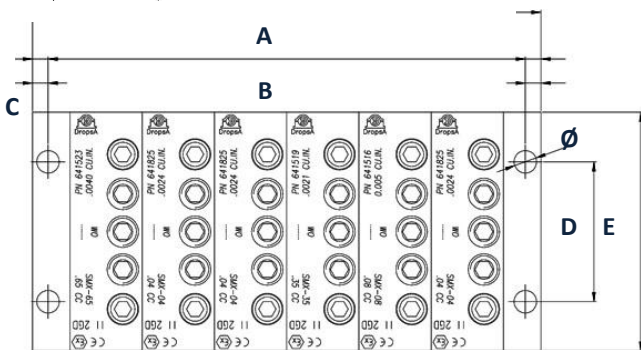
SMX METERING ELEMENT (*)								SMO METERING ELEMENT			
DELIVERY PER OUTLET		1 OR 2 OUTLETS		DELIVERY PER OUTLET		1 OR 2 OUTLETS		DELIVERY PER OUTLET		1 OR 2 OUTLETS	
CC.	CU. IN.	Symbol	Part No.	CC.	CU. IN.	Symbol	Part No.	CC.	CU. IN.	Simbolo	Codice
0,04	0.0024	SMX 04	641825	0,40	0.025	SMX 40	641520	0,04	0.0024	SMO 04	641720
0,08	0.005	SMX 08	641516	0,50	0.030	SMX 50	641521	0,08	0.005	SMO 08	641716
0,16	0.010	SMX 16	641517	0,60	0.036	SMX 60	641522	0,16	0.010	SMO 16	641717
0,25	0.015	SMX 25	641518	0,65	0.040	SMX 65	641523	0,25	0.015	SMO 25	641718
0,35	0.021	SMX 35	641519	0,00	0.000	BY PASS X	641514	0,00	0.000	BY PASS 0	641714

(*) Approvati secondo specifiche Automotive

DIMENSIONS



Type	A		B		C		D		E		F	
	mm	in	mm	in	mm	in	mm	in	mm	in	mm	in
SMO	18.5	0.72	16	0.62	20.60	0.80	30	1.17	12.5	0.72	30	1.17
SMX	20	0.78	20.2	0.78	23.42	0.91	35	1.36	12.5	0.72	30	1.17



Type	C		D		E		Ø
	mm	in.	mm	in.	mm	in.	
SMO	4,2	0.16	42	1.63	68	2.6	6
SMX	5,0	2	44,45	1.73	76	2.9	7.2

Type	SMO				SMX			
	A		B		A		B	
N° Element	mm	in	mm	in	mm	in	mm	in
3	80,4	3,17	72,40	2,85	93,02	3,66	83,22	3,276
4	101,2	3,98	93,20	3,67	116,44	4,58	106,44	4,190
5	122	4,80	114,00	4,49	139,86	5,51	129,86	5,112
6	142,8	5,62	134,80	5,31	163,28	6,43	153,28	6,034
7	163,6	6,44	155,60	6,13	186,70	7,35	176,70	6,956
8	184,4	7,26	176,40	6,94	210,11	8,27	200,11	7,879
9	205,2	8,08	197,20	7,76	233,53	9,19	223,53	8,801
10	226	8,90	218,00	8,58	256,95	10,12	246,95	9,723
11	246,8	9,72	238,80	9,40	280,37	11,04	270,37	10,645
12	267,6	10,54	259,60	10,22	303,79	11,96	293,79	11,567
13	288,4	11,35	280,40	11,04	327,21	12,88	317,21	12,489
14	309,2	12,17	301,20	11,86	350,63	13,80	340,63	13,411
15	330	12,99	322,00	12,68	374,05	14,73	364,05	14,333
16	350,8	13,81	342,80	13,50	397,47	15,65	387,47	15,255
17	371,6	14,63	363,60	14,31	420,89	16,57	410,89	16,177
18	392,4	15,45	384,40	15,13	444,30	17,49	434,30	17,099
19	413,2	16,27	405,20	15,95	467,72	18,41	457,72	18,021
20	434	17,09	426,00	16,77	491,14	19,34	481,14	18,943

THE BASE

The base is made up of a minimum of three segments:

- Inlet base
- Intermediate base
- End base

And can be increase i unlimited number by addition of intermediate sections.

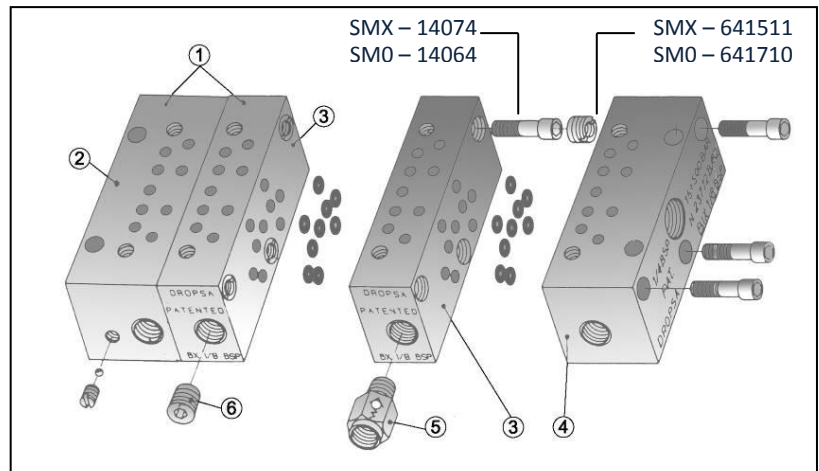
This revolutionary system makes the assembly easy and flexible; there is not need to determine in advance the size of the base, just add on distributors in unlimited number by means of very simple threaded inserts supplied for the assembly (Patented).

This simple technique allows the system to operate even at very high pressure without any leakage in the assembly.

There is also the possibility of ordering with one part number only, the end base + the intermediate base already assembled.

Simply add on the inlet base and you have a three base assembly.

With just 3 screws!!!!



Ref.	Description	SMO		S Y M B O L	SMX			S Y M B O L
		1/8 BSP	1/8 NPTF		1/4 BSP	1/4 NPTF	7/16-20 UNF	
	Inlet Thread	1/8 BSP	1/8 NPTF		1/4 BSP	1/4 NPTF	7/16-20 UNF	
	Outlet Thread	1/8 BSP	1/8 NPTF		1/8 BSP	1/8 NPTF	7/16-20 UNF	
4	Inlet base	641711	643562	B10	641512	643541	643800	BIX
3	Intermediate base	641712	643563	B0	641513	643542	643801	BX
2	End base	641713	643564	BF0	641515	643561	643802	BFX
5	Check valve	92335	641564		92335	641564	642029	
6	Plug	3232098	3232095		3232098	3232095	642031	

ACCESSORIES

Description	SMX	SMO
M 1/4 NPTF - F 1/4 BSP Reduction	3077166	
M 1/8 NPTF - F 1/8 BSP Reduction	3077090	
M 1/4 BSP - F 1/4 NPTF Reduction	3077059	
M 1/8 BSP - F 1/8 NPTF Reduction	3077075	
Bases Assembly screws	0014074*	0014064*
Threaded Inserts	641511*	641710*
Elements Assembly Screw	0014242*	0014077*
Single Line adaptor	0641708	
Base and Element assembly kit (N°3 Bases Assembly screws - N°3 Threaded Inserts - N°2 Elements Assembly Screw - N° 1 Single Line adaptor)	3140770	3140769

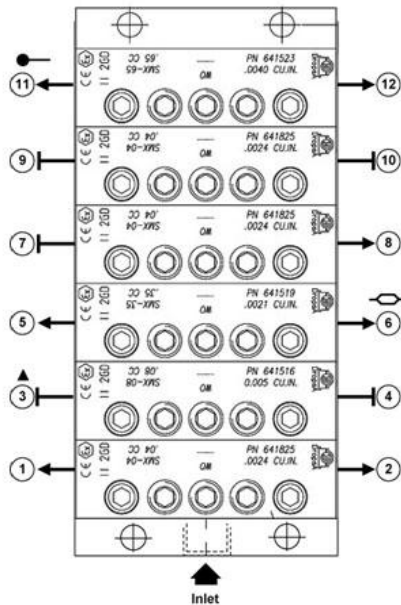
* Ordered separately
(Sold in boxes of 500 or add the "-1" suffix for purchasing in single multiples)

INFORMAZIONI PER L'ORDINE

ORDER EXAMPLE

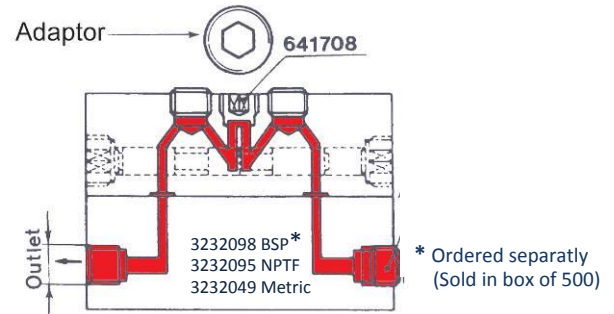
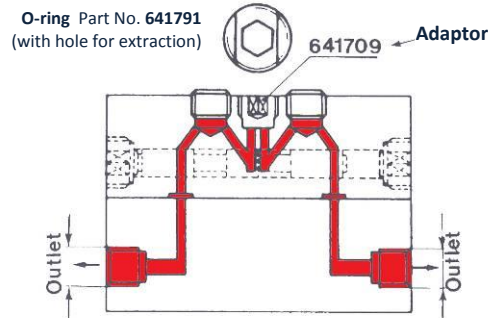
SMO - 6 (M08 - M16LR - M25CC - M08D - M25R - M25C)

Note: the assembly is seen vertically and the outlets are in sequence; starting from the bottom (inlet) from left to right. Symbol ?LR? refers to bridge elements.

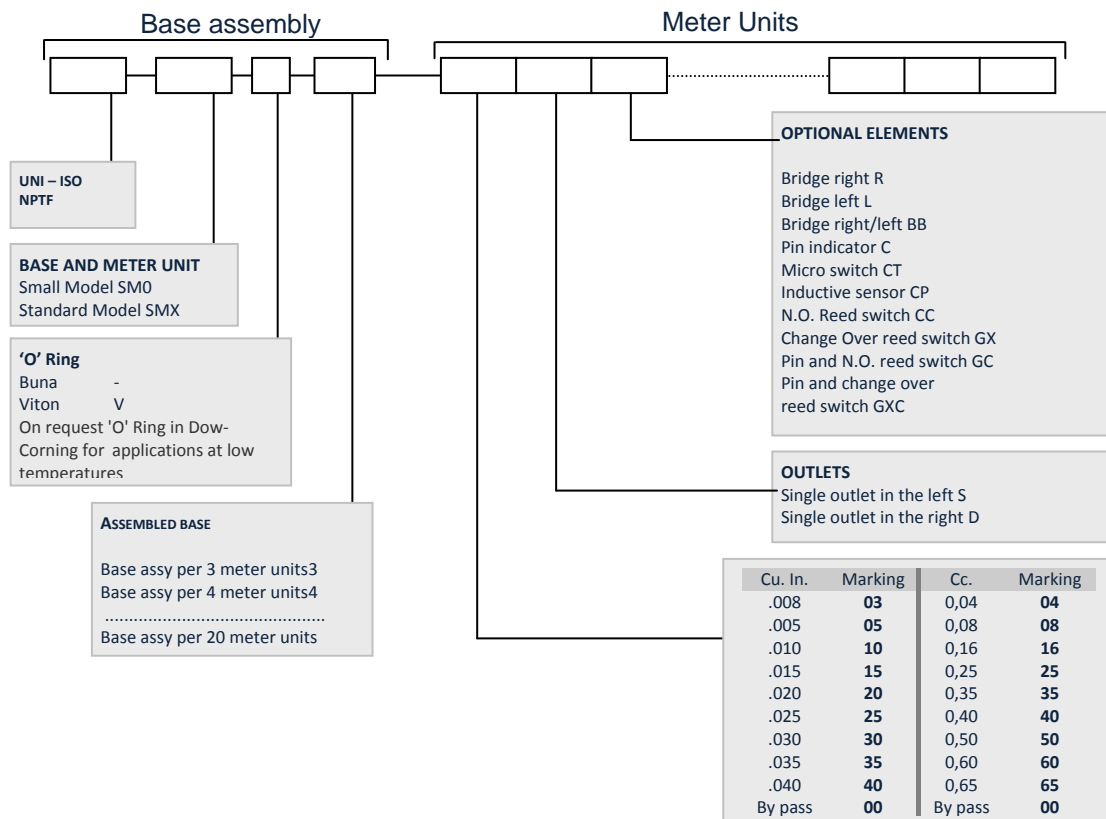


SINGLE AND DOUBLE OUTLET CONVERSION

It is possible to double the delivery of a single element by replacing the Adapter Part No. 641709 with the Adapter Part No. 641708 as shown in the drawing below. When converted into single, plug off the second outlet..



HOW TO ORDER



sales@dropsa.com www.dropsa.com	ITALIA Dropsa SpA t. +39 02-250791	U.K. DropsA (UK) Ltd t. +44 (0)1784 431177	GERMANY Dropsa Schmiertechnik GmbH t. +49 (0)211 39 40 11	FRANCE AME Dropsa t. +33 (0)1 39 93 00 33
	U.S.A. Dropsa USA Incorporated t. +1 586-566-1540	AUSTRALIA Dropsa Australia Ltd. t. +61 (02)-9938-6644	BRAZIL Dropsa do Brazil t. +55 (0)11-563-10007	CHINA Dropsa Lubrication Systems (Shanghai) Co., Ltd t. +86 (021) 67740275