

CHARACTERISTICS

- **3 PUMP MODELS:**
 - 1 -12 PUMP ELEMENTS
 - 1 -24 PUMP ELEMENTS
 - 1 -35 PUMP ELEMENTS
- **2 OR 0,5 LITERS**
RESERVOIR
- **12V AND 24V**
VERSIONS
- **12 TIMER SETTINGS**
- **6 DIFFERENT PUMP**
ELEMENT SIZES
- **PUMP –TO–POINT**
CONCEPT IS EASY TO
ENGINEER
- **EASY TO INSTALL**

APPLICATIONS

- **VEHICLE AND**
CHASSIS
LUBRICATION
- **SMALL-MEDIUM**
MACHINE TOOLS
- **ANY TYPE OF DEVICE**
OR MACHINERY
THAT REQUIRES
GREASE
LUBRICATION FROM
1 TO 35
LUBRICATION
POINTS

THE COMPACT MULTI-OUTLET GREASE

The electrically driven **PoliPUMP FP** is the quick, simple and cost effective solution for lubricating **up to 35 grease points** without the need to design complex lubrication systems.

The **follower plate** and **stirring paddle** system keep the grease compacted and allows to pump to continue to feed the lubrication system correctly even when it is in an upside down position.

In just a few quick steps you can design and install an automatic centralized lubrication system for up to 35 lube points without any specialized engineering skills.

No external metering valves, cycle sensors are required. Just plug and pipe it in and you are ready to go.



**SUPPLY UP TO 35 GREASE POINTS WITH ONE PUMP.
NO COMPLEX METERING VALVES OR SYSTEM DESIGN IS NECESSARY**

CAN BE USED STRAIGHT OUT OF THE BOX IN JUST A FEW QUICK STEPS:

- Choose from a range of 6 different Pump Elements for each lubrication point;
- Screw the Pump elements into the Outlet Manifold block;
- Quickly connect the pump elements to the points with flexible tubing – thanks to push-in fitting on the pump element;
- Power up the unit and select one of the 12 timer settings.

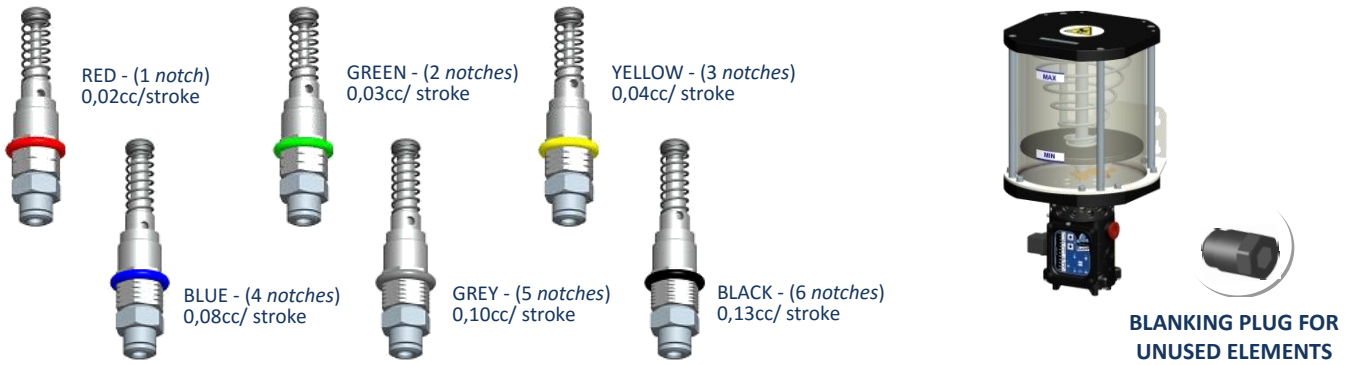
APPLICATION EXAMPLE



GET UP AND RUNNING IN A FEW SIMPLE STEPS:

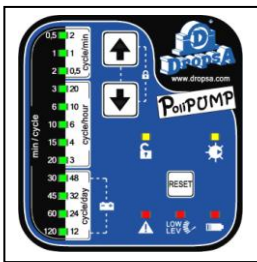
1. PICK NUMBER AND TYPE OF YOUR PUMPING ELEMENTS

Pumping elements are installed sequentially around the cylindrical outlet manifold...



...There are 6 different pump element sizes for you to select from and they are ordered separately from the pump according to how many lubrication points need to be serviced.

2. SELECT THE LUBRICATION CYCLE TIMER YOU WANT:



Once the pump has been powered on, simply use the up and down buttons to select the desired Lubrication Cycle.

There are 12 different cycle times that can be selected:

The cycle frequency available are:

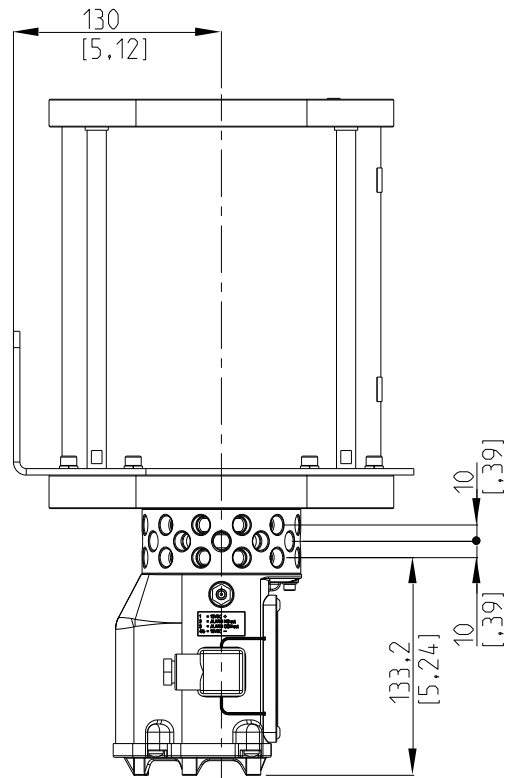
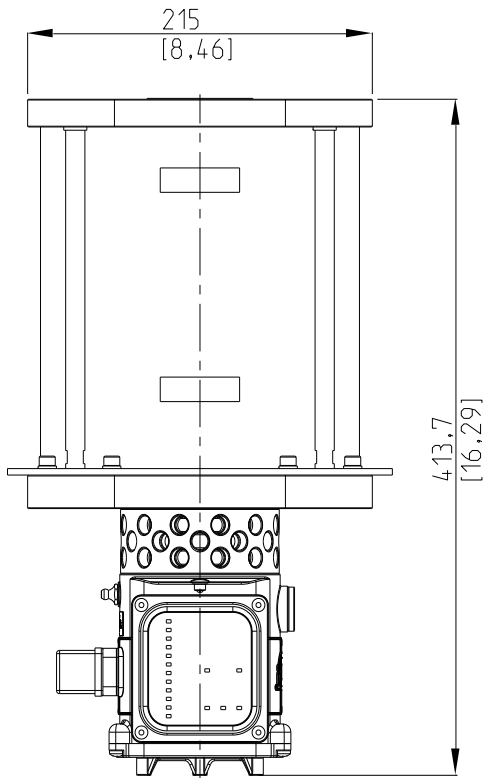
- Cycles per minute: 0.5 – 1 – 2
- Cycles per hour: 3 – 4 – 6 – 10 – 20
- Cycles per day: 12 – 24 – 32 – 48

READY TO GO

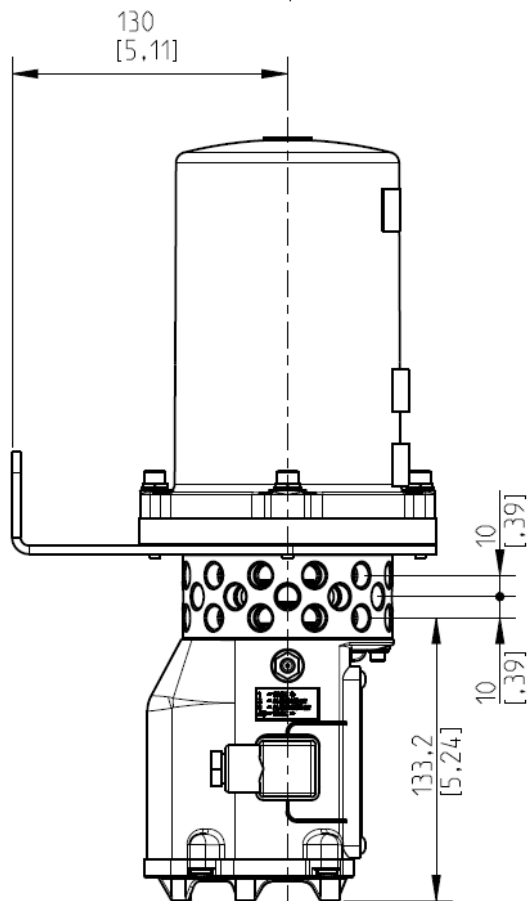
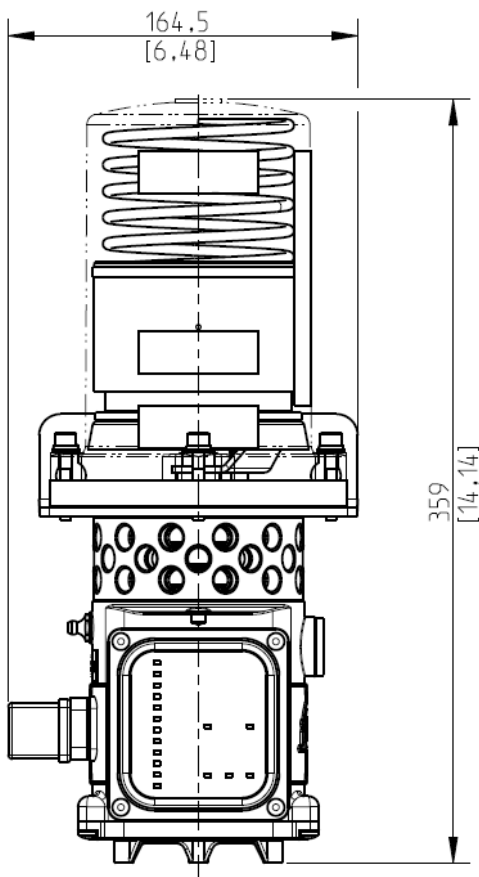
GENERAL TECHNICAL CHARACTERISTICS	
Pumping system	Single acting pump elements with cam activation
Drive assembly	DC motor with gearbox
Motor operating voltage	12V DC 24V DC
Electronic protection threshold for motor overload	0.6 A
Nett weight	4 l -Reservoir
	0,5 l -Reservoir
Number of outlets / pumping max.	12 – 24 – 35
Output connection (pumping outlet)	Push-in Ø4
Nominal output per pump element	0,02cc/strokes – RED (1 notch)
	0,03 cc/ strokes – GREEN (2 notchs)
	0,04 cc/ strokes – YELLOW (3 notchs)
	0,08 cc/ strokes – BLUE (4 notchs)
	0,10 cc/ strokes – GREY (5 notchs)
	0,13 cc/ strokes – BLACK (6 notchs)
Max pressure achievable at the outlet of the pumping	80 bar
Reservoir Capacity	0,5 L (0.13 gallons)
	4 L (1.06 gallons)
Grease capability	NLG100 ÷ NLG12
Operating temperature	-10°C ÷ +60°C (14°F ÷ 140°F)
Storage temperature	-20°C ÷ +80°C (-4°F ÷ 176°F)
Minimum level signalling/counting revolution	With Hall effect sensor
CONTROL PANEL CHARACTERISTICS	
Working voltages	12VDC – 24VDC
Relay alarm contact	NC (open in alarm) – I max 5A – Vmax 250V – Pmax 60W

DIMENSIONS (NOT TO SCALE)

4 l -Reservoir



0,5 l -Reservoir



POLIPUMP DESIGN WORKSHEET

1. SELECT THE PUMP – Pick a model:

RESERVOIR	VOLTAGE	PUMPINGS	PART NO.		Q.TY
4 l	12VDC	FROM 1 TO 12	0888282	<input type="radio"/>	_____
		FROM 1 TO 24	0888283	<input type="radio"/>	_____
		FROM 1 TO 35	0888284	<input type="radio"/>	_____
	24VDC	FROM 1 TO 12	0888285	<input type="radio"/>	_____
		FROM 1 TO 24	0888286	<input type="radio"/>	_____
		FROM 1 TO 35	0888287	<input type="radio"/>	_____
0,5 l	12VDC	FROM 1 TO 12	0888500	<input type="radio"/>	_____
		FROM 1 TO 24	0888501	<input type="radio"/>	_____
		FROM 1 TO 35	0888502	<input type="radio"/>	_____
	24VDC	FROM 1 TO 12	0888503	<input type="radio"/>	_____
		FROM 1 TO 24	0888504	<input type="radio"/>	_____
		FROM 1 TO 35	0888505	<input type="radio"/>	_____

2. HOW MANY PUMP ELEMENTS DO YOU NEED?

PUMP ELEMENTS

0,02cc/ stroke	RED - (1 notch)	0888451	<input type="radio"/>	_____
0,03cc/ stroke	GREEN- (2 notchs)	0888452	<input type="radio"/>	_____
0,04cc/ stroke	YELLOW- (3 notchs)	0888453	<input type="radio"/>	_____
0,08cc/ stroke	BLUE- (4 notchs)	0888454	<input type="radio"/>	_____
0,10cc/ stroke	GREY- (5 notchs)	0888455	<input type="radio"/>	_____
0,13cc/ stroke	BLACK- (6 notchs)	0888456	<input type="radio"/>	_____
SPARE BLANKING PLUG		0888257	<input type="radio"/>	_____

3. TUBES AND FITTINGS?

TUBES Ø4

Ø4x2 Nylon tube Nylon Tube - Clear	5717218	100 m coil	<input type="radio"/>	_____
Ø4x3 Nylon Tube (low pressure)	5717300	100 m coil	<input type="radio"/>	_____
Ø4x2 Nylon Tube - Black	5717258	25 m coil	<input type="radio"/>	_____
Ø4x2 Nylon Tube - Black grease filled NLGI 00	5717259	25 m coil	<input type="radio"/>	_____

FITTINGS Ø4

PUSH-IN

THREAD	MAX PRESSURE (bar)	PART NO.		
1/8 BSP	65	3084577	<input type="radio"/>	_____
Straight	M6X1	65	3084579	<input type="radio"/>
	M6X0,75	65	3084631	<input type="radio"/>
	5/16-24 UMF	65	3084682	<input type="radio"/>
	1/8" NPT	20	3084586	<input type="radio"/>
	M6X1	65	3084613	<input type="radio"/>



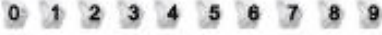
90° swivel	5/16-24 UMF	65	3084611	<input type="radio"/>
	1/8 NPT	65	3084620	<input type="radio"/>
	1/8 BSP	65	3084638	<input type="radio"/>
	M8X1	150	3084731	<input type="radio"/>
	1/8 BSP	150	3084696	<input type="radio"/>

Compression fitting	1/8" BSP	150	0092069	<input type="radio"/>	_____
---------------------	----------	-----	---------	-----------------------	-------

4. FILL THE PUMP

Rapid Fill Cartridge Kit (recommended)	0888038	<input type="radio"/>	_____
Grease cartridge filling kit with valves	3133723	<input type="radio"/>	_____
Grease (Multipurpose grade 2) 400 cc cartridge	1524952	<input type="radio"/>	_____
90° M22x1,5 fitting of filling	3077222	<input type="radio"/>	_____

ACCESSORIES

Black ties wraps 100 x 2,5 mm (1 unit)		UE-CACA011	<input type="radio"/>	_____
Spiral fits- black 10 m per coil ø 10-50 mm		UE-CACA030	<input type="radio"/>	_____
Tag kit		3133901	<input type="radio"/>	_____

Distributor Info: