

SERIAL 26

Non return valve

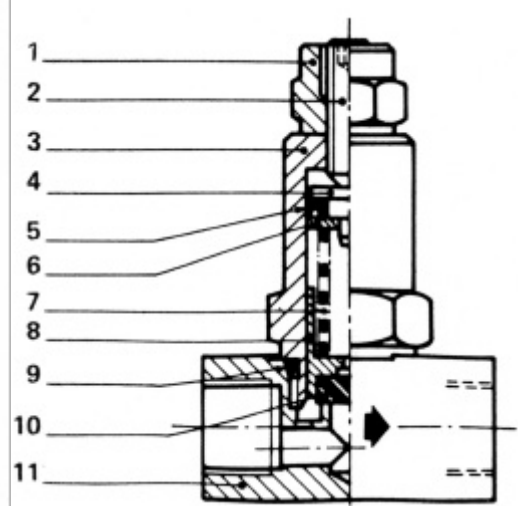
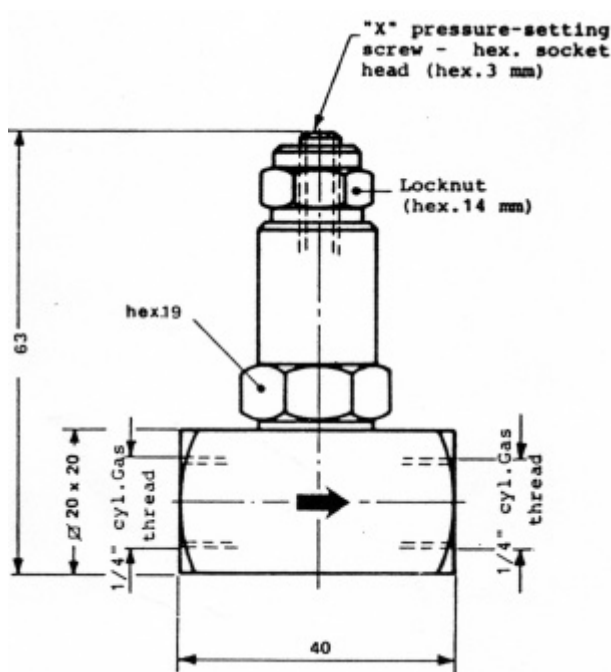
Characteristic:

Pressure: from 0 to 30 bar (adjustable)
 Material: galvanized steel
 Diameter port: 5 mm
 Elastomeric-plastic seal plate
 Fittings: 1/4" cyl. gas thread
 Weight: 160 g

Opening pressure adjustment range: 0 to 30 bar. To increase pressure setting, turn screw "X" in a clockwise direction (1 turn = approx. 4 bar)



Symbol



Pos.	Description	Part. No.	Q.ty
1	Nut, dowel locking	3235127	1
2	Screw	15820	1
3	Cap, valve	3042997	1
4	Plate	3016107	1
5	Gasket	3190112	1
6	Washer	3233144	1
7	Spring	3191167	1
8	Valve	3096154	1
9	Gasket	3190198	1
10	Gasket	61104	1
11	Body, non return valve	3072013	1



Sistemi automatici di lubrificazione

WK 29/00

7173113