

CARATTERISTICS

- ALARM LEVEL SETTING CUSTOMIZED
- THE SENSOR WORKS WITH BOTH LIQUID AND GASEOUS FLUIDS
- MATERIAL: STAINLESS STEEL
- AN ELECTRONIC DISPLAY ALLOWS YOU TO CONSTANTLY MONITOR THE FLOW

SOLUTION TO MONITORING OUTLET AIR

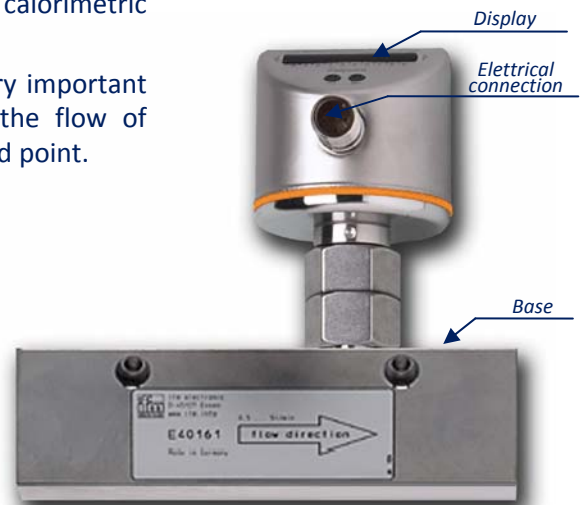
IDEAL SOLUTION TO MONITORING OUTLET AIR

The unit detects the flow speed to the calorimetric measuring principle.

To ensure a longer life of bearings is very important to control accurately the variation of the flow of lubricating fluid due to the filling of an end point.

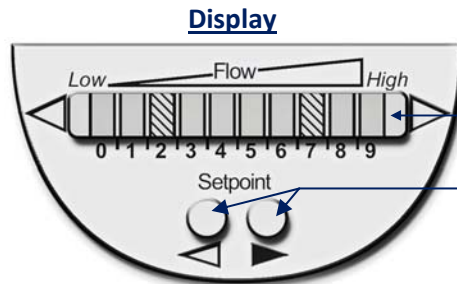
The SYSTEM consists of the **sensor** and the **base** (used to facilitate the mounting plate) You can set the control level with two different alarm:

- low
- high



ADVANTAGES

- DIRECT DETECTION OF THE FAILURE OR NOT SUFFICIENT SUPPLY OF THE FEEDER
- LONGER BEARING LIFE



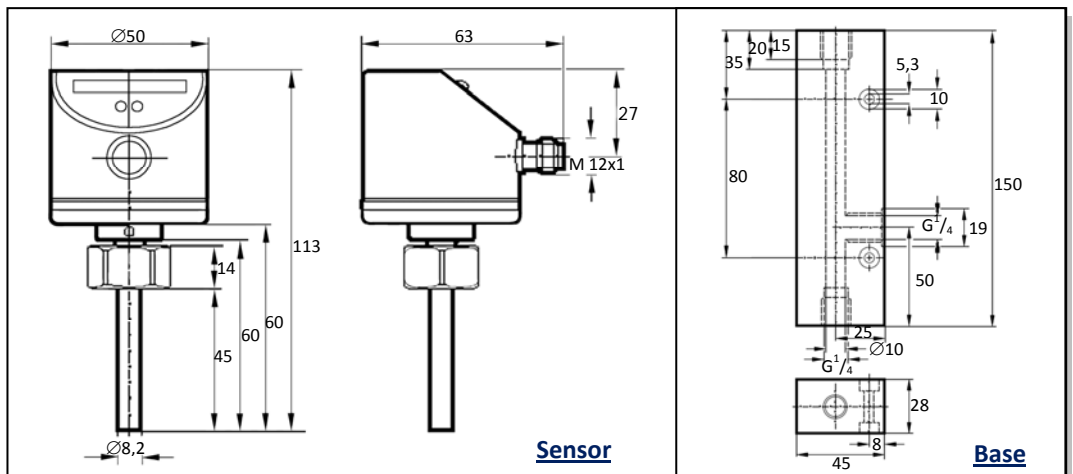
LEDs indicate the effective fluid delivery at any given time through the sensor and is then delivered from the end point within a range from 0 (outlet closed) to 9 (Maximum flow)

Buttons for setting and configuration of the alert level

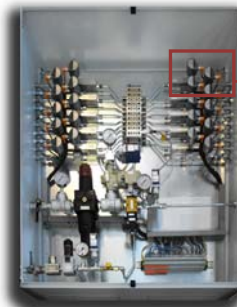
APPLICATIONS

- ANY APPLICATION FOR AIR MONITORING

DIMENSIONS



Example of Air-oil lubrication satellite positioned on board. Supplied with oil from Central Station, and air from connection use; equipped by monitoring flowrate sensor.



Air flow out monitoring system.

CONTACTS

www.dropsa.com

sales@dropsa.com

ITALY

Dropsa SpA
t. +39 02-250791
f.+39 02-25079767

U.K.

Dropsa (UK) Ltd
t. +44 (0)1784-431177
f. +44 (0)1784-438598

GERMANY

Dropsa GmbH
t. +49 (0)211-394-011
f. +49 (0)211-394-013

FRANCE

Dropsa Ame
t. +33 (0)1-3993-0033
f. +33 (0)1-3986-2636

U.S.A.

Dropsa Corporation
t. +1 586-566-1540
f. +1 586-566-1541

AUSTRALIA

Dropsa Australia Ltd.
t. +61 (02)-9938-6644
f. +61 (0)2-9938-6611

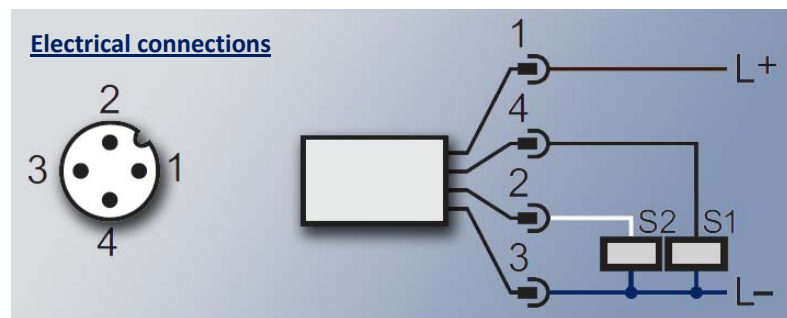
BRAZIL

Dropsa do Brasil Ind.e
Com.Lta
t. +55 (0)11-563-10007
f. +55 (0)11-563-19408

CHINA

Dropsa Lubrication
Systems (Shanghai)
Co., Ltd
t. +86 (021) 67740275
f. +86 (021) 67740205

TECHNICAL FEATURES



TECHNICAL FEATURES	
Operating voltage [V]	19...36 DC
Current capacity [mA]	2 x 250
Short Circuit Protection	Pulse
Protection against reverse polarity	yes
Resistant to overload	yes
Voltage drop [V]	< 2,5
Gradient temperature [K/min]	300
Pressure resistance [bar]	300
LIQUIDS	
Fluid temperature [°C]	-25...80
Adjustment range [cm/s]	3...300
Maximum sensitivity [cm/s]	3...100
GASEOUS	
Fluid temperature [°C]	-25...80
Adjustment range [cm/s]	200...3000
Maximum sensitivity [cm/s]	200...800
Switching point setting	tasto
Accuracy of switching point [cm/s]	± 2...± 10 *)
Hysteresis [cm/s]	2...5 *)
Reproducibility [cm/s]	1...5 *)
Delay time [s]	10
Response time [s]	1...10
Temperature variations [cm/s x 1/K]	0,1 **)
Variations in temperature [°C]	-25...80
Storage Temperature [°C]	-25...100
Grade / Class protection	IP 67, III
Shock resistance	DIN IEC 68-2-27: 50 g (11 ms)
Vibration resistance	DIN EN 60068-2-6: 20 g (55...2000 Hz)
CEM	EN 61000-4-2 ESD: 4 kV CD / 8 kV AD
	EN 61000-4-3 HF radial: 10 V/m
	EN 61000-4-4 burst: 2 kV
	EN 61000-4-6 HF conductive: 10 V
MTTF [years]	277
Material Case	inox 316L / 1.4404; inox 304 / 1.4301; PC (Makrolon); PBT-GF 20; EPDM/X (Santoprene)
Materials in contact with the fluid	inox 316L / 1.4404; O-ring: FPM 8 x 1,5 gr 80° Shore A
Function display LEDs	10 LED, 3 colors
Connection	Connector M12

ORDERING INFORMATION

CODE	
DESCRIPTION	CODE
Sensor + Base	1525334