

Characteristics

- **Delivery:**
250 cm³/min;
- **Pressure:**
100 bar max.;
- **Motor:**
Three phase 220/380V –
50 Hz;
- **Reservoir:**
6 liters steel with low
level indicator;
- **Pressure gauge:**
Scale 0 to 120 bar to
signal pressure in the
line;
- **Line inverter:**
An over pressure
hydraulic inverter will
automatically invert the
lines when the pressure
value set on its valves is
reached.

Motorized gear pumps series 1222000

For Dual Line Lubrication Plant

These pumps have been designed to offer a solid and functional lubrication unit, which will feed and control the correct operation of double line oil systems.

The unit consists of:

- gear pump, output 250 cc/min., driver by a 3-phase electric motor
- 6 litre capacity sheet steel reservoir
- hydraulic inverter
- gauge, signalling the pressure in the line connected to the pump.



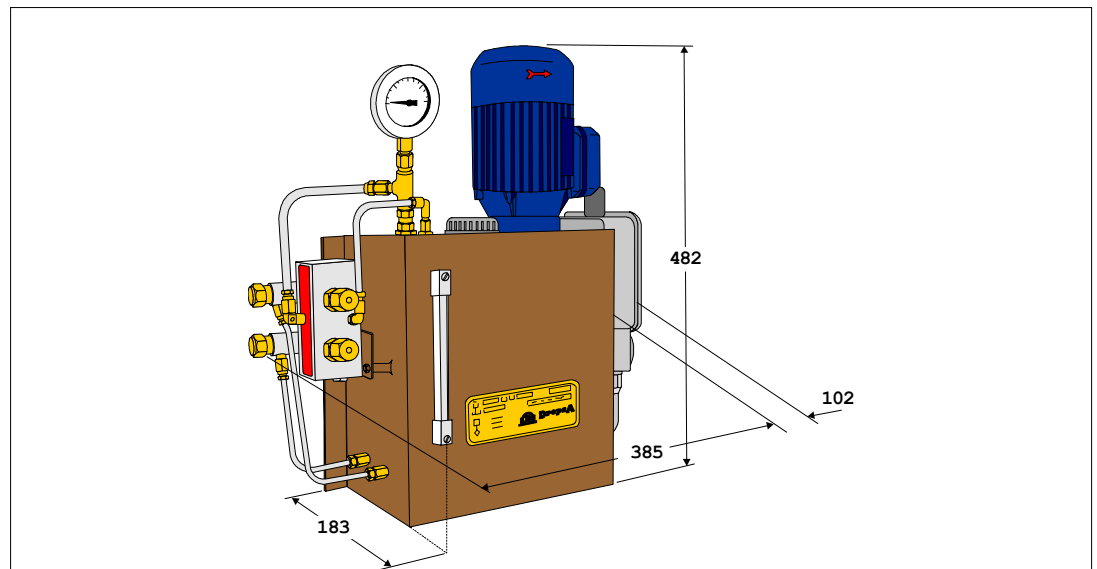
The gauge will also signal (with a temporary zero setting), the moment at which the lines' inversion takes place.

The hydraulic inverter will automatically feed the two lubricating lines alternatively.

A further warranty of the system's safety is given by a Reed contact in the reservoir's electric minimum level switch.

A pressure switch (for pump model 1222070 only) will check the safe operation of the system by signalling to an electric panel (available on request) that the line pressure has reached the set value.

Dimensions



Applications

- Feed and control the Double Line Oil Systems.

Contacts

www.dropsa.com
sales@dropsa.com

ITALY

Dropsa SpA
 t. +39 02-250791
 f. +39 02-25079767

U.K.

Dropsa (UK) Ltd
 t. +44 (0)1784-431177
 f. +44 (0)1784-438598

GERMANY

Dropsa GmbH
 t. +49 (0)211-394-011
 f. +49 (0)211-394-013

FRANCE

Dropsa Ame
 t. +33 (0)1-3993-0033
 f. +33 (0)1-3986-2636

CHINA

Dropsa Lubrication Systems
 (Shanghai) Co.,Ltd
 t. +86 (021) 67740275
 f. +86 (021) 67740205

U.S.A.

Dropsa Corporation
 t. +1 586-566-1540
 f. +1 586-566-1541

AUSTRALIA

Dropsa Australia Ltd.
 t. +61 (0)2-9938-6644
 f. +61 (0)2-9938-6611

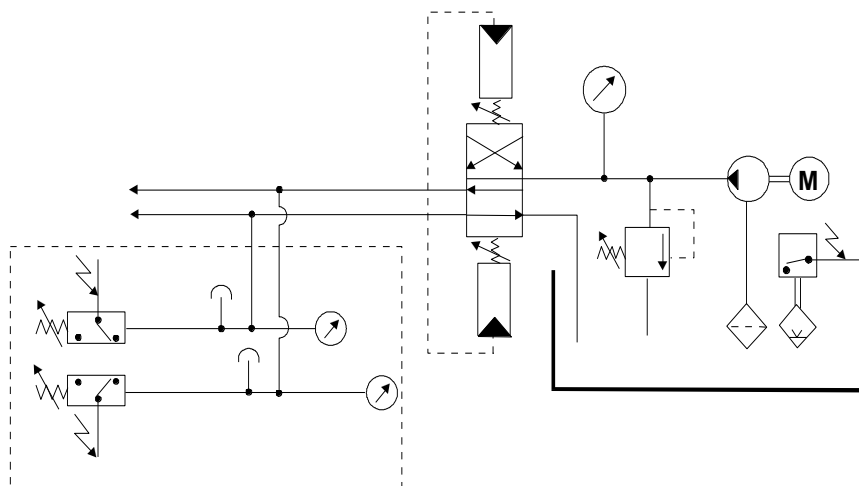
BRAZIL

Dropsa Remonlub
 t. +55 (0)11-563-10007
 f. +55 (0)11-563-19408

Motorized gear pumps series 1222000

TECHNICAL SPECIFICATIONS	
Delivery	250 cm ³ /min
Pressure	100 bar (10 MPa)
Lubricant	15÷1000 cSt at normal fluid temperature
Motor	Three phase 220/380 V – 50 Hz
Reservoir	6 litre steel with low level indicator
Lubricant outlet	G 3/8 UNI ISO 228/1
Pressure regulating valve	Set to 90 bar (9 MPa)
Inlet filter	250 µ
Minimum level contact	Max. potential 60 VA
Max. voltage	220 V ac – 150 V dc
Max. current	1 A
Pressure gauge	Scale 0 + 120 bar (0 + 12 MPa)
Line inverter	An over pressure hydraulic inverter will automatically invert the lines when the pressure value set on its valves is reached; it is adjustable from 30 up to 150 bar, pressure adjusted at 80 bar
End of pressure switch	For pump model cod. 1222070 only

HYDRAULIC DIAGRAM



Order informations

HOW TO ORDER	
PART NR.	DESCRIPTION
1222060	Motorized pump without pressure switch for cycle control Weight 17,5 Kg (17,5 daN)
1222070	Motorized pump with pressure switch for cycle control Weight 20 Kg (20 daN)