

PUMP 12130

Manual pump without reservoir
for Single Line - System 01
lubrication systems



Automatic Lubrication Systems

PUMP 12130

GB
USA



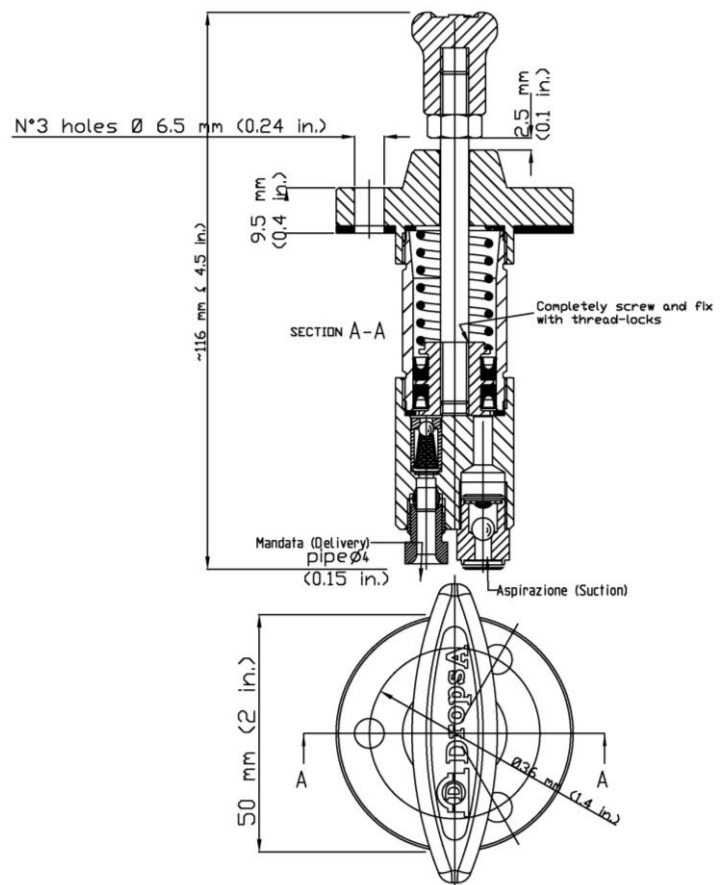
MANUAL PUMP WITHOUT RESERVOIR FOR SINGLE LINE – SYSTEM 01 LUBRICATION SYSTEMS

Pump for applications with built-in reservoir and easy operation: simply pull the handle upwards with a quick movement and then release to deliver lubricant.

Pump is applied with a seal on the flange and can be mounted in any position using 3 M5 screws.

TECHNICAL SPECIFICATIONS	
Maximum flowrate	3.7 cm ³ /stroke (0.22 cu.in)
Pressure	3.3 bar (48.51 PSI)

PART NUMBER	DESCRIPTION
12130	Manual pump for Single Line – System 01 Lubrication systems



Web site:
<http://www.dropsa.com>

E-mail:
sales@dropsa.com

WK 54/04
C2058PE

ITALIA
Dropsa SpA
t.(+39) 02-250791
f.(+39) 02-25079767

DROPSA CHINA
Dropsa Lubrication Systems
Tel: +86 (021) 67740275
Fax: +86 (021) 67740205

U.S.A.
Dropsa Corporation
t.(+1) 586-566-1540
f.(+1) 586-566-1541

U.K.
Dropsa (UK) Ltd
t.(+44) 01784-431177
f.(+44) 01784-438598

BRAZIL
Dropsa
t.(+55) 011-563-10007
f.(+55) 011-563-19408

GERMANY
Dropsa GmbH
t.(+49) 0211-394-011
f.(+49) 0211-394-013

AUSTRALIA
Dropsa Australia Ltd.
t.(+61) 02-9938-6644
f.(+61) 02-9938-6611

FRANCE
Dropsa Ame
t.(+33) 01-3993-0033
f.(+33) 01-3986-2636