

## CHARACTERISTICS

- SINGLE-ACTING PNEUMATIC PUMP;
- PUMP: 2CM<sup>3</sup> / CYCLE;
- RATIO: 50:1;
- 2KG GREASE RESERVOIR WITH SPRING LOADED FOLLOWER PLATE;
- MINIMUM LEVEL SENSOR AS STANDARD;
- AIR PRESSURE:
- FROM 3 TO 6BAR (44-88PSI);
- PUMP GREASE UP TO NLGI 2.

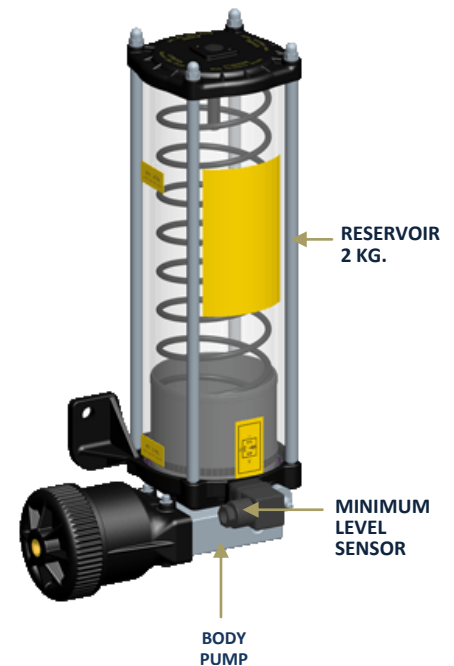
Note: The LocoPump Series2(S2) substitutes the existing Locopump Series 1 (S1) part numbers. The Series 1 Locopump is therefore no longer available.

## A SIMPLE YET VERSATILE PNEUMATIC PUMP IDEAL FOR USE IN SMALL AND MEDIUM SINGLE LINE PROGRESSIVE DIVIDER GREASE SYSTEMS

The Locopump (2nd Series) grease is an ideal single acting pneumatic grease pump general use in single line progressive divider lubrication systems such as SMX, SMO, SMP or SMPM.

It comes equipped as standard with a spring loaded 2kg reservoir which means it can handle up to NLGI Grade 2 grease without problems.

The transparent reservoir allows the user to clearly see the quantity of grease remaining and a low level grease switch is present to provide remote alarm signals to the machine it is mounted on. Additionally, the reservoir lid can be installed with a High level or a Dropsa continual level sensing device.

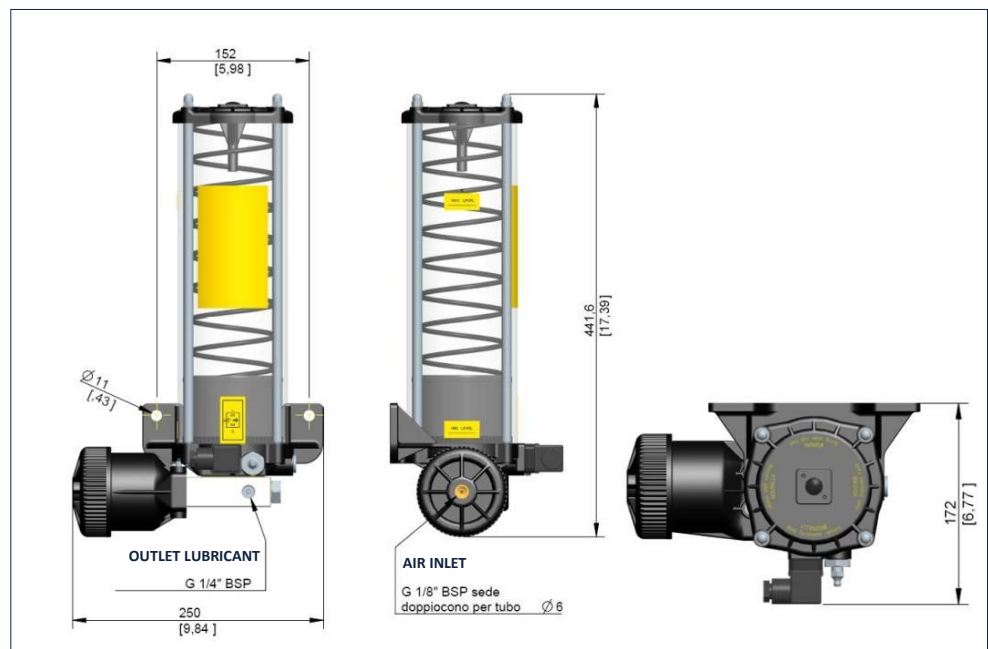


**High Reliability** is guaranteed by the use of hardened steel in the construction in all the pumping element components and the pump piston is manufactured in ground hardened steel.

The front Fill port is also equipped with a filling filter to ensure that only clean lubricant enters the reservoir.

*The pump provides a simple but very cost effective solution for use on many small to mid range grease lubrication systems and is ideal to be used on machines where compressed air is available.*

## DIMENSIONS (NOT TO SCALE)



## APPLICATIONS

- LUBRICATION IN VEHICLES AND MOBILE PLANTS.;
- MACHINE TOOLS: AS MACHINES FOR WORKING SHEET METAL OR WOOD;
- BENDING MACHINES;
- INJECTION PRESSES FOR PLASTICS.

## CONTACTS

[www.dropsa.com](http://www.dropsa.com)  
[sales@dropsa.com](mailto:sales@dropsa.com)

### ITALIA

Dropsa SpA  
 t. +39 02-250791  
 f. +39 02-25079767

### U.K.

Dropsa (UK) Ltd  
 t. +44 (0)1784-431177  
 f. +44 (0)1784-438598

### GERMANY

Dropsa GmbH  
 t. +49 (0)211-394-011  
 f. +49 (0)211-394-013

### FRANCE

Dropsa Ame  
 t. +33 (0)1-3993-0033  
 f. +33 (0)1-3986-2636

### U.S.A.

Dropsa Corporation  
 t. +1 586-566-1540  
 f. +1 586-566-1541

### AUSTRALIA

Dropsa Australia Ltd.  
 t. +61 (02)-9938-6644  
 f. +61 (0)2-9938-6611

### BRAZIL

Dropsa Brasil Ind.e  
 Com.Ltda  
 t. +55 (0)11-563-10007  
 f. +55 (0)11-563-19408

### CHINA

Dropsa Lubrication  
 Systems (Shanghai)  
 Co., Ltd  
 t. +86 (021) 67740275  
 f. +86 (021) 67740205

## TECHNICAL INFORMATION

TECHNICAL CHARACTERISTICS	
Adjustment delivery	0.5 ÷ 2 cm <sup>3</sup> /stroke
Compression ratio	50:1
Air pressure	min. 3 bar (43,5 psi) max. 6 bar (87 psi)
Max. output pressure size	300 bar
Fixed delivery	2 cm <sup>3</sup> per stroke
Lubricant outlet	G 1/4" BSP
Compressed air inlet	G 1/8" BSP
Re-filling valve	UNI 7663
Lubricant	Grease NLGI 2 max.
Minimum level contact	Max. Commutable 100 V D.C. Max. commutable current 0.25 A Max. commutable power: 8 W (NA) – 3 W (NC)

## Vip5Controller

High performance system designed to control most of the lubrication systems of small and medium size.

The Vip5 Control system can be used to construct system using the locopump and the progressive dividers. It allows easy configuration of operating parameters, including the piloting of a solenoid valve for single effect pump systems and monitoring of sensor devices fitted on the progressive dividers.

The Vip5 Controller also allows multiple cycle configurations and can not only be used to operate intermittent lubrication systems determined by a pause timer, but also on external impulse signal based systems such as chain or conveyor lubrication.



VIP5 1639140÷ 1639142

## ORDER INFORMATION

PART NUMBER	DESCRIPTION
3413050	LocoPump (S2) 2cm <sup>3</sup> per stroke . 50:1, 2Kg Grease Reservoir
3413050 C	Preloaded LocoPump (S2) 2cm <sup>3</sup> per stroke . 50:1, 2Kg Grease Reservoir - grease "EPO"
ACCESSORI	
1639140	VIP 05 Lube System Controller 220V 50-60Hz
1639141	VIP 05 Lube System Controller 12/24V
1639142	VIP 05 Lube System Controller 110V 50-60Hz
3133390	Pump delivery adjustment kit
3133391	Gasket spare kit
3133392	Max. Level sensor kit