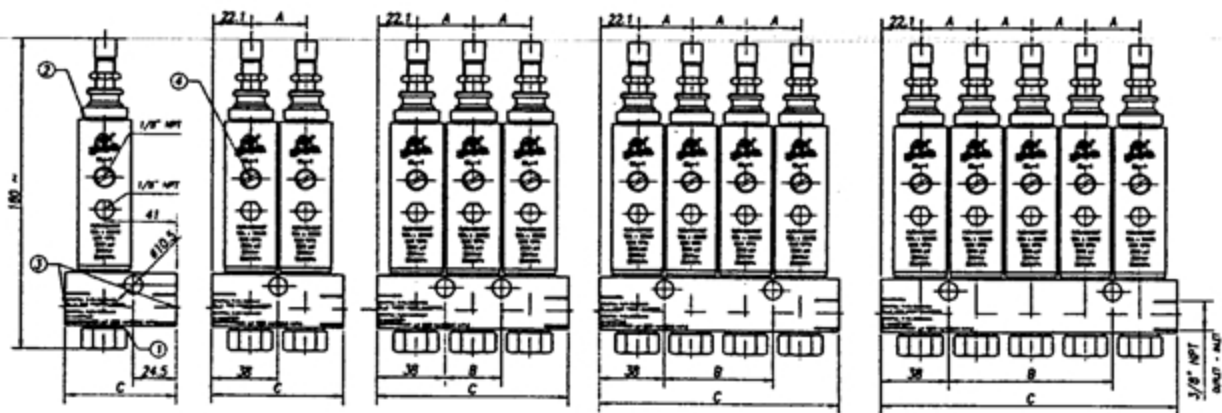




DL-1 INJECTORS

TECHNICAL DATA:

Maximum operating pressure : 24 Mpa (241 bar, 3500 psi)
 Minimum operating pressure : 13 Mpa (128 bar, 1850 psi)
 Suggested operating pressure : 17 Mpa (172 bar, 2500 psi)
 Reset pressure : 4.1Mpa (41 bar, 600 psi)
 Output volume per cycle : Adjustable 0.131 – 1.31cc (0.008 – 0.08 cu in.)
 Recommended lubricant : NLGI 1 or lighter

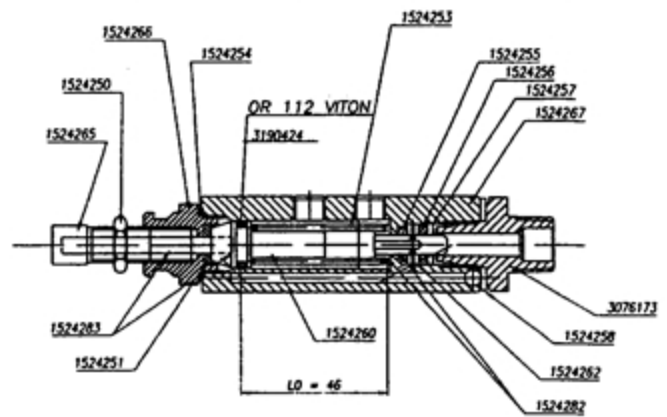
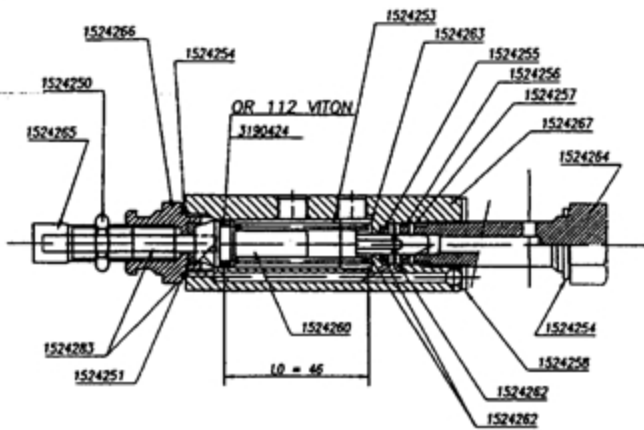


TYPE	A	B	C	OUTLET	DROPSA PART NO.
DL1-1	-	-	63	1	3083490
DL1-2	31.7	-	76	2	3083491
DL1-3	31.7	31.7	107.5	3	3083492
DL1-4	31.7	63.4	139	4	3083493
DL1-5	31.7	95.1	170.5	5	3083494

REPLACEMENT KITS :

Replacement injector only : Part no. 1524287
 NPT single injector model : Part no 1524288
 Metal injector cover : Part no 3072572
 Plastic injector cover : Part no 3132197
 Injector repair kit : Part no 3132187

INJECTOR SERVICE PARTS

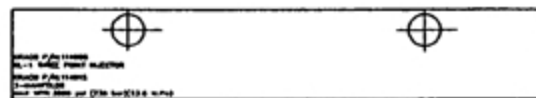
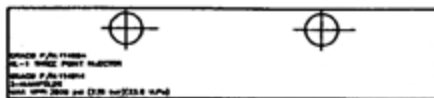
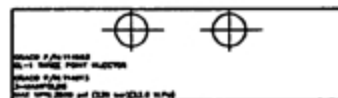
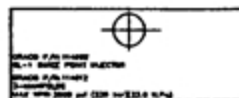
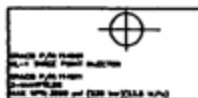


ITEM	DESCRIPTION	Q.TY	PART NO.
1	Injector body	1	—
2	Adjusting screw	1	1524265
3	Lock nut	1	1524250
4	Packing housing	1	1524266
5	Zerk fitting & cap assy	1	0022384
6	Copper gasket	1	1524258
7	Adapter bolt (used on All manifold models)	1	1524264
8	3/8" npt adapter (on npt single injector model)	1	3076173
9	Steel gasket	2	*

ITEM	DESCRIPTION	Q.TY	PART NO.
10	Flat washer	1	*
11	Viton o-ring	1	*
12	Displacement piston	1	*
13	Compression spring	1	*
15	Plunger	1	*
16	Viton packing	1	*
17	Viton packing	1	*
18	Viton packing	1	*
19	Inlet valve	1	*
20	Flat washer	1	*

* Included in injector Repair Kit 3132187 only

MANIFOLDS



ITALY
 Dropesa Spa
 Via B. Croce, 1 - 20090
 Vimodrone (MI)
 Tel: (+39) 02 - 250 79.1
 Fax: (+39) 02 - 250 79.767
 E-mail: sales@dropesa.it (Export)
 E-mail: vendite@dropesa.it (National)