

## CHARACTERISTICS

- 0.6 CM<sup>3</sup>/PULSE OUTPUT
- HIGH ACCURACY
- 0-2.5 LPM AMPLE OPERATING FLOW RANGE
- UP TO 700BAR OPERATING PRESSURE
- VOLTAGE FREE REED CONTACT WITH 24V/0.2A CAPACITY
- STANDARD M12 ELECTRICAL CONNECTOR
- TEMPERATURE: -20°C - +70°C
- 1/8" BSP INLET AND OUTLET CONNECTION

## OIL & GREASE OVAL GREASE FLOW METER

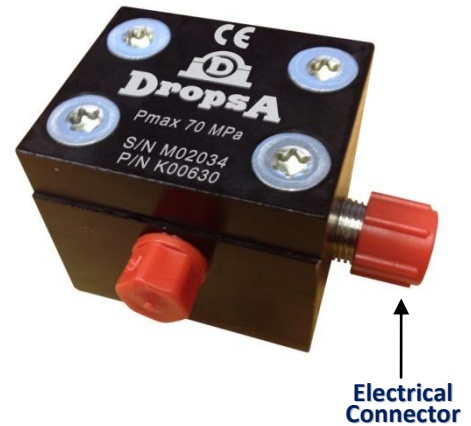
The "FlowMeter" uses a rotating oval gear concept with encapsulated magnets to provide a pulsed output that corresponds volumetrically to the flow through the flow-meter.

The "FlowMeter" is suited to installation in critical lubrication points that typically are distinguished by relatively low flow and high pressure.

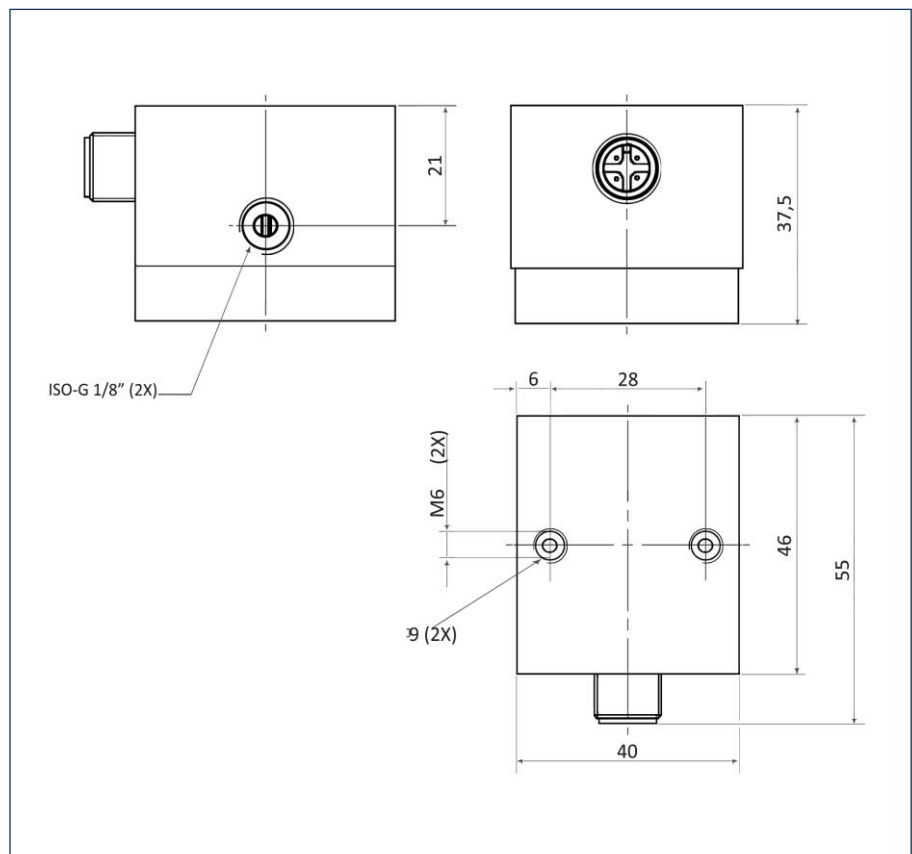
Combined with a VIP5 Lubrication Controller or PLC system, instantaneous flow rate can be calculated (by measuring time between pulses). A totalizing counter function can easily be achieved simply by counting pulses.

In applications with continuous use and high reading speed change the connector with appropriate adapter and sensor "Dropsa Ultrasensor".

It's possible to order the "Ultrasensor" already assembled.



## OVERALL DIMENSIONS (NOT TO SCALE)



## APPLICATIONS

- ANY HIGH PRESSURE FLOW MONITORING APPLICATION
- CRITICAL POINT MONITORING
- PROGRESSIVE AND DUAL LINE SYSTEMS
- OIL FILL APPLICATIONS



## CONTACTS

[www.dropsa.com](http://www.dropsa.com)

[sales@dropsa.com](mailto:sales@dropsa.com)

### ITALIA

Dropsa SpA  
t. +39 02-250791  
f. +39 02-25079767

### U.K.

Dropsa (UK) Ltd  
t. +44 (0)1784-431177  
f. +44 (0)1784-438598

### GERMANY

Dropsa GmbH  
t. +49 (0)211-394-011  
f. +49 (0)211-394-013

### FRANCE

Dropsa Ame  
t. +33 (0)1-3993-0033  
f. +33 (0)1-3986-2636

### U.S.A.

Dropsa Corporation  
t. +1 586-566-1540  
f. +1 586-566-1541

### AUSTRALIA

Dropsa Australia Ltd.  
t. +61 (02)-9938-6644  
f. +61 (0)2-9938-6611

### BRAZIL

Dropsa Brasil Ind.e  
Com.Ltda  
t. +55 (0)11-563-10007  
f. +55 (0)11-563-19408

### CHINA

Dropsa Lubrication  
Systems (Shanghai)  
Co., Ltd  
t. +86 (021) 67740275  
f. +86 (021) 67740205

## TECHNICAL SPECIFICATIONS

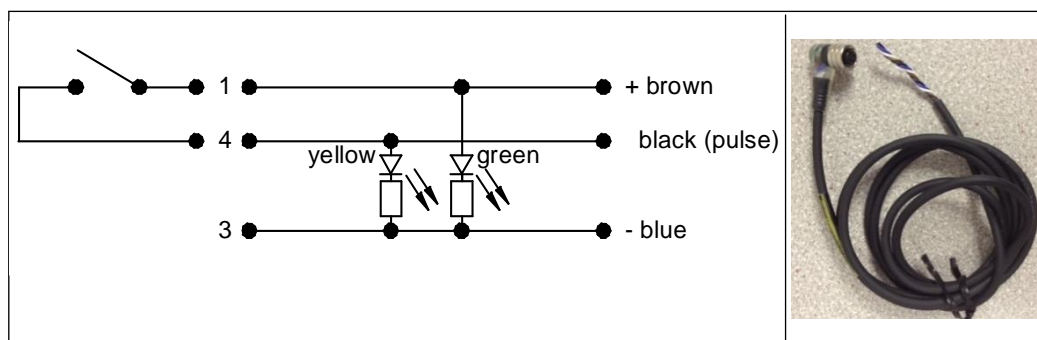
TECHNICAL CHARACTERISTICS	
Dimensions	(LxWxH): 55 x 40 x 38mm excl. connector
Connection	1/8" BSP
Material	Anodized aluminum or Stainless steel AISI 316
Weight	Al: 0.186 kg SS: 0.485 kg
Flow range	0 – 2,500 cm <sup>3</sup> /min
Temperature	-20°C - +70°C
Vibrations	20 G (10-20000 Hz)
Life	10 <sup>9</sup> pulses, equal to approx. 655 m <sup>3</sup> (reed switch) (to achieve max. life, power shall be <10 mA)
Accuracy	Grease NLGI 2: 0.655 cm <sup>3</sup> /pulse ± 3% Oil ISO VG 150: 0.610 cm <sup>3</sup> /pulse ± 3%
IP class	IP 67
Connector	4-pol std. M12x1 male, signal pin 1 and 4
Voltage	0 – 24 VDC
Power	max. 0,20 A

## ORDERING INFORMATION

AVAILABLE VERSIONS	
CODE	DESCRIPTION
<b>3293175</b>	Oval Gear Flow Meter 0.6cc ALUMINIUM
<b>3293176</b>	Oval Gear Flow Meter 0.6cc STAINLESS STEEL 316
<b>1525828</b>	Oval Gear Flow Meter 0.6cc ALUMINIUM with ultrasensor
<b>1525829</b>	Oval Gear Flow Meter 0.6cc STAINLESS STEEL 316 with ultrasensor

ACCESSORIES	
CODE	DESCRIPTION
<b>0039999</b>	Elbow contact M12x1, female. No cable included
<b>0039768</b>	Elbow contact M12x1. 2m cable wired to female connector with built in LED.
<b>3085123</b>	Adapter for ULTRASENSOR
<b>1655308</b>	ULTRASENSOR

**Part# 0039768** Elbow contact M12x1, female with built in LED. 2 m cable.



**Part# 0039999** Elbow contact M12x1, No cable included

