

CONTACTS

www.dropsa.com

sales@dropsa.com

ITALY

Dropsa SpA
t. +39 02-250791
f. +39 02-25079767

U.K.

Dropsa (UK) Ltd
t. +44 (0)1784-431177
f. +44 (0)1784-438598

GERMANY

Dropsa GmbH
t. +49 (0)211-394-011
f. +49 (0)211-394-013

FRANCE

Dropsa Ame
t. +33 (0)1-3993-0033
f. +33 (0)1-3986-2636

U.S.A.

Dropsa Corporation
t. +1 586-566-1540
f. +1 586-566-1541

AUSTRALIA

Dropsa Australia Ltd.
t. +61 (02)-9938-6644
f. +61 (0)2-9938-6611

BRAZIL

Dropsa Brasil Ind.e
Com.Ltda
t. +55 (0)11-563-10007
f. +55 (0)11-563-19408

CHINA

Dropsa Lubrication Systems
(Shanghai) Co., Ltd
t. +86 (021) 67740275
f. +86 (021) 67740205

OVERPRESSURE INDICATOR

Overpressure indicators are used to check pressure in the main or secondary line.

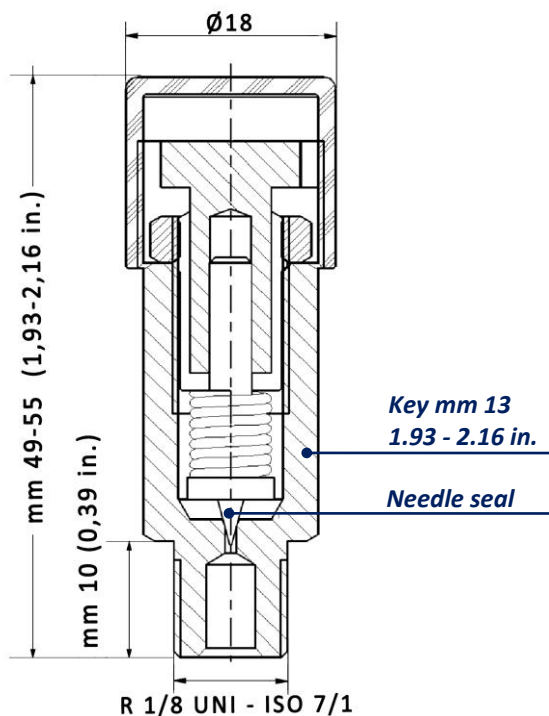
They are available for pressure up to 380 bar (5511 psi).

This kind of indicators, when the set pressure is accidentally exceeded, react with the internal opening of the needle seal with the release of excess oil, avoiding the block of the progressive divider.



When pressure drops below the alarm threshold the system comes back at the initial settings

Height mm 49-55 (1,93 – 2,16 in.)
Key mm 13 (0,51 in.)
Thread 1/8 BSP



ORDERING INFORMATION

CODE	Description
Bypass type	
1900040-A	Pressure indicator 1/8 BSP – 200 Bar/2900Psi
1900040-B	Pressure indicator 1/8 BSP – 170 Bar/2490Psi
1900040-C	Pressure indicator 1/8 BSP – 140 Bar/2058Psi
1900040-D	Pressure indicator 1/8 BSP – 100 Bar/1470Psi
1900040-E	Pressure indicator 1/8 BSP – 85 Bar/1250Psi
1900040-F	Pressure indicator 1/8 BSP – 70 Bar/1029Psi
1900040-G	Pressure indicator 1/8 BSP – 50 Bar/735Psi
1900040-H	Pressure indicator 1/8 BSP – 380 Bar/5586Psi